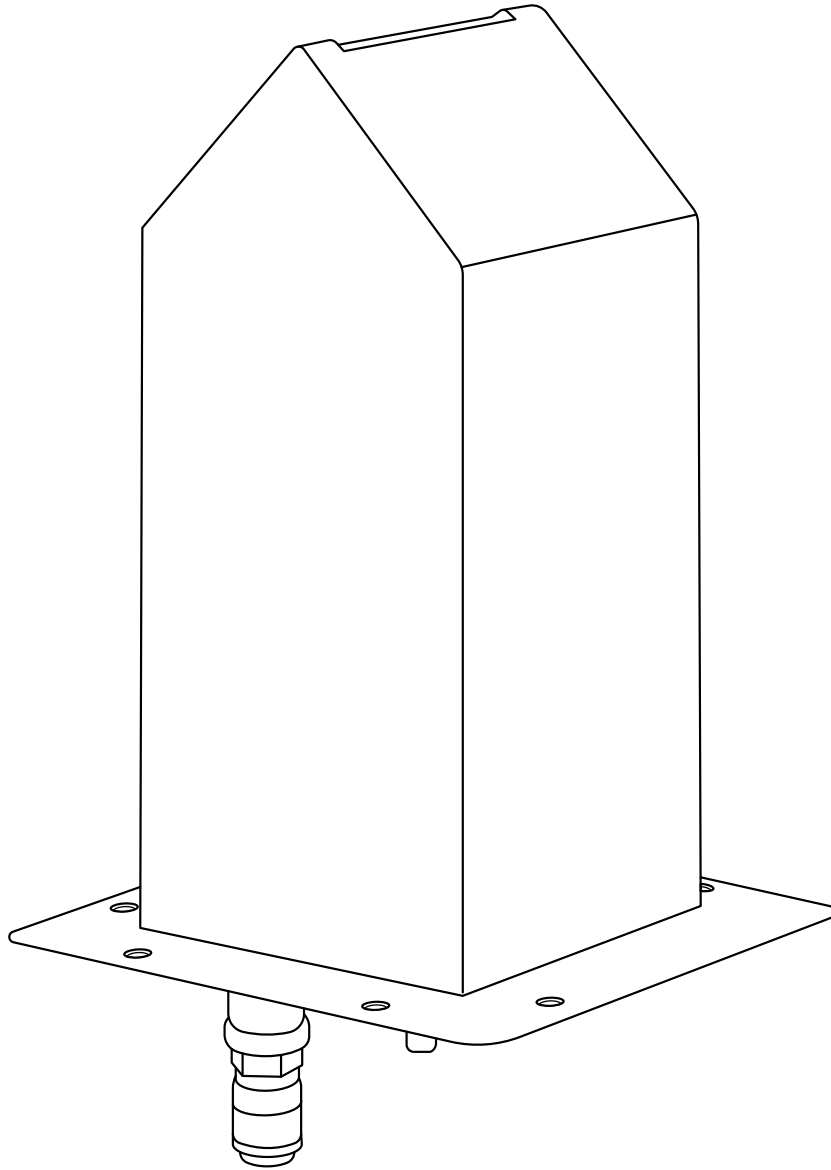


 **RELIABLE**



1500HS

Hat Steamer

1500HS
Hat Steamer
Instruction Manual
English



Do Not Return To Store

Contact Us First

For immediate help with your purchase, please give us a call so that we can resolve your issue.

We can be reached toll-free at 1-800-268-1649 or email support@reliablecorporation.com

Reliable. Getting it Right. For You.

At Reliable, we do what we love, and we take pride in doing it right. You want what's best for the people, places and things that matter in your life—from where you live to what you wear. So do we. That's why we approach every product with a laser-focus on you. In our commitment to quality, functionality, design and customer service, we are continuously innovating to find solutions to better fit your needs. Everything we make looks and feels just right, because it is. We get it right. For you.

For your safety and to fully enjoy the advantages of this product, please take a few minutes to read all the important safeguards and care instructions. Keep this manual handy and review the product warranty for your reference.

Thank you for your purchase. Please share your Reliable product experience by posting an online review on the website from which you purchased. We greatly appreciate it.

Important Safety Instructions – Save These Instructions in a Safe Place For Future Reference

Read all instructions before use.

Caution: Hot Surface

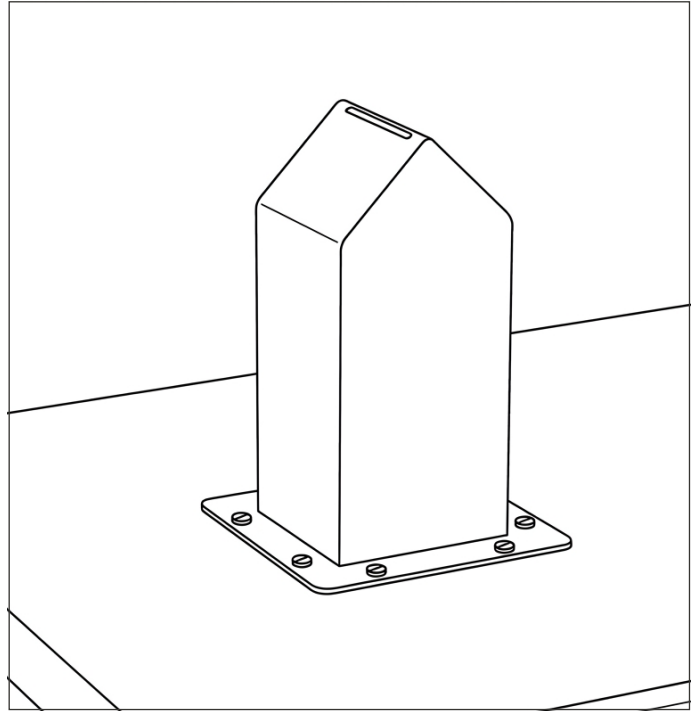
- The hat steamer becomes hot during operation.
- Avoid touching heated surfaces while the unit is in use or immediately after use.
- Use caution when handling hats and materials near the steam outlet.
- Keep hands and other body parts away from escaping steam to prevent burns.
- Allow the unit to cool before performing maintenance or adjustments.
- To protect against the risk of electric shock, do not immerse the appliance in water.
- Do not allow the cord to touch hot surfaces.
- Always disconnect the appliance when not in use.
- Do not use the appliance if the cord is damaged. Return the appliance or have the cord repaired by the manufacturer, or their service agent.
- Do not operate the appliance if it has been dropped or damaged. Do not disassemble the appliance. Incorrect reassembly can cause a risk of personal injury. Send it to an authorized service center for repair.
- Be careful. Burns can occur from touching hot metal parts or steam.
- Keep out of reach of children.
- Only use the attachment for its intended use.
- Always follow the operating instructions provided with your Reliable boiler and wear appropriate protective equipment when working with steam.

Important: When you want to dispose of the appliance, NEVER throw it in the garbage. Instead, go to your closest recycling station or waste collection centre for subsequent treatment. In this way, you will be contributing to looking after the environment.

Installation

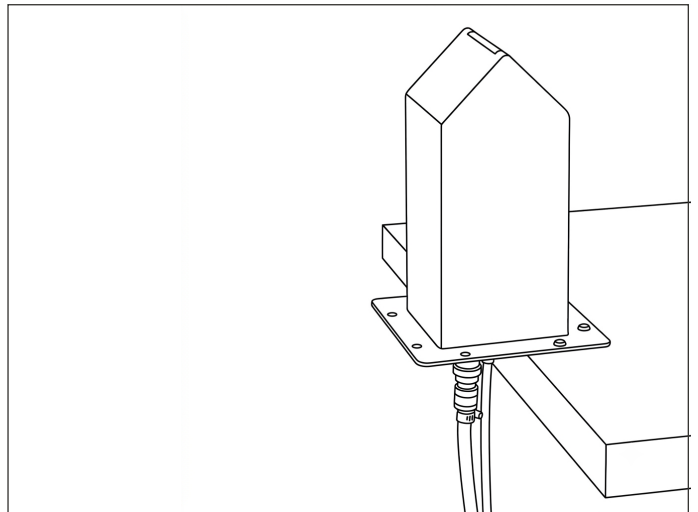
Option 1: Table Mount

1. Select a suitable location on your workbench or tabletop.
2. Cut holes through the tabletop large enough to accommodate the steam connection and drain hose.
3. Ensure the steam connection and steam hose do not contact the tabletop.
4. A minimum hole diameter of 1" (25 mm) is recommended for each hole.
5. Position the hat steamer over the opening.
6. Secure the unit to the tabletop using 3/16 or M5 screws through the six mounting holes provided. Length of screw should accommodate the thickness of your workbench or tabletop.



Option 2: Side Mount

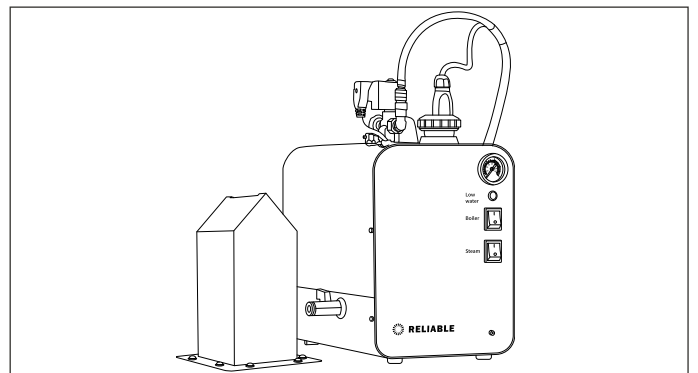
1. Position the hat steamer on the side of a workbench or tabletop.
2. Ensure the steam connection and steam hose are free from contact with the mounting surface.
3. Secure the unit using four mounting holes and appropriate #10 screws.



Operation

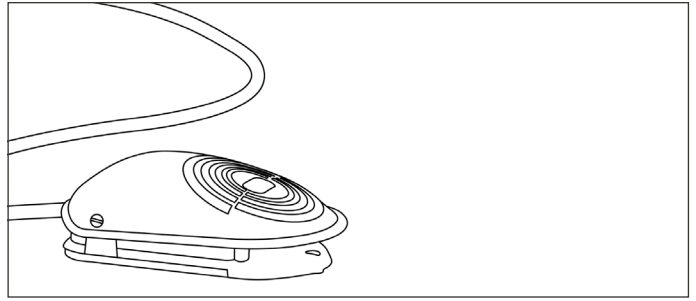
Steam Connection

1. Insert the supplied quick-connect fitting into the steam connection located on the bottom of the hat steamer.
2. Connect the steam hose from your Reliable boiler to the quick-connect fitting.
3. Verify all connections are secure before operating the unit.



Foot Pedal Connection

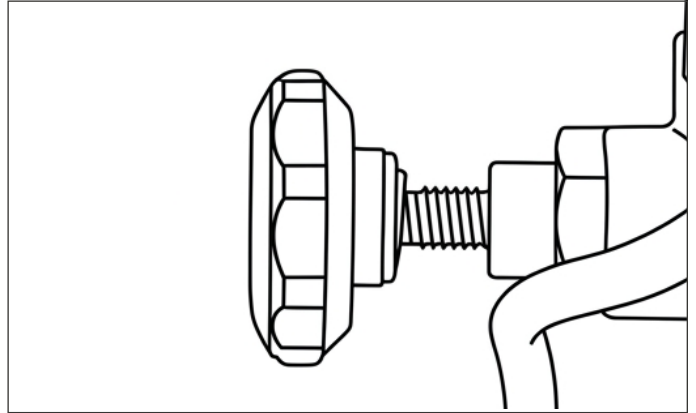
1. Connect the foot pedal to the 4-pin connector on your Reliable boiler.
2. To activate steam, press and hold the foot pedal.
3. Release the foot pedal to stop steam flow.



Steam Volume Adjustment

For best performance and to help maintain consistent steam pressure:

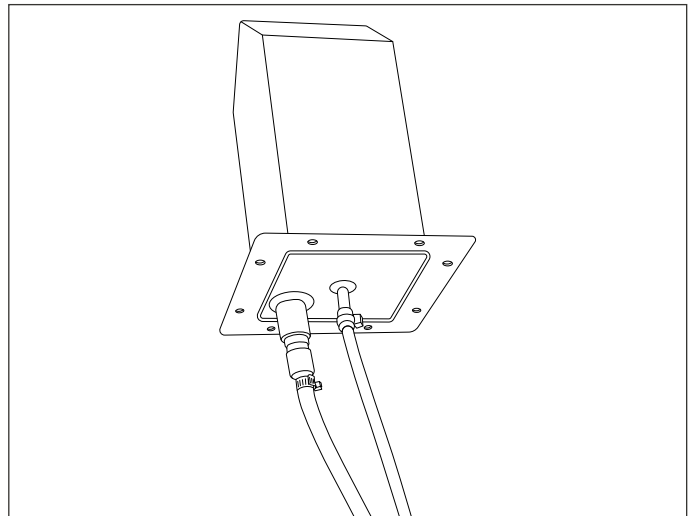
1. Turn the steam control knob on your Reliable boiler fully closed.
2. Open the steam control knob two full turns.
3. Test the steam output and adjust as needed for your application.



Drain Hose

The 1500HS Hat Steamer is equipped with a clear drain hose to remove moisture that may accumulate during operation.

1. Route the drain hose into a bucket or other suitable water collection container.
2. Ensure the hose remains unobstructed and can drain freely at all times.
3. Periodically empty the collection container as required.



Reliable Corporation (“Reliable”) offers a **1-year** warranty for its products (a “Reliable Product”) from the original purchase date, as long as the product is properly used and maintained.

What’s Covered

- Reliable will repair or replace any defective parts caused by poor workmanship or materials.
- If the product can’t be repaired or replaced with the same model, it will be replaced with a current model of equal or greater value.
- Repaired or replaced parts will be either new or refurbished to work like new.
- If Reliable cannot repair or replace the product, they will refund its current value.

What’s Not Covered

This warranty does not cover:

- Damage caused by improper installation, accidents, abuse, misuse, natural disasters, electrical issues, or wear and tear from normal use.
- Products that have been altered, disassembled, or modified without authorization.
- Products not purchased directly from Reliable or an authorized dealer.
- Indirect, consequential, or incidental damages, including third-party claims.

Warranty Claim Process

To file a warranty claim:

- Contact customer service at 1-800-268-1649 or support@reliablecorporation.com.
- Provide your original receipt, which must show you’re the original purchaser and that the product was bought from Reliable or an authorized dealer.
- You will receive a Return Authorization (RA#). Ship the defective product (with proof of purchase and RA#) prepaid and insured to:
- Reliable Corporation, 5-100 Wingold Avenue, Toronto, ON M6B 4K7
- Note: Freight collect shipments will be refused. Loss or damage during shipping is your responsibility.

Additional Information:

This warranty applies to products used for personal, and not commercial or rental, service. Reliable is not liable for incidental or consequential damages of any nature associated with the use of this product. Reliable’s liability will not exceed the purchase price of the product.

For questions, contact:

Reliable Corporation
100 Wingold Avenue, Unit 5
Toronto, Ontario
Canada M6B 4K7
www.reliablecorporation.com



1 800 268 1649
www.reliablecorporation.com

10062026