

 **RELIABLE**



3400UA

**60 cm Extra Long
Steam Rod**

3400UA

60 cm Extra Long Steam Rod

Instruction Manual

English



Do Not Return To Store

Contact Us First

For immediate help with your purchase, please give us a call so that we can resolve your issue.

We can be reached toll-free at 1-800-268-1649 or email support@reliablecorporation.com

Reliable. Getting it Right. For You.

At Reliable, we do what we love, and we take pride in doing it right. You want what's best for the people, places and things that matter in your life—from where you live to what you wear. So do we. That's why we approach every product with a laser-focus on you. In our commitment to quality, functionality, design and customer service, we are continuously innovating to find solutions to better fit your needs. Everything we make looks and feels just right, because it is. We get it right. For you.

For your safety and to fully enjoy the advantages of this product, please take a few minutes to read all the important safeguards and care instructions. Keep this manual handy and review the product warranty for your reference.

Thank you for your purchase. Please share your Reliable product experience by posting an online review on the website from which you purchased. We greatly appreciate it.

Important Safety Instructions – Save These Instructions in a Safe Place For Future Reference

Read all instructions before use.

- To protect against the risk of electric shock, do not immerse the appliance in water.
- Do not allow the cord to touch hot surfaces.
- Always allow the appliance to cool for at least thirty minutes before storing.
- Always put the appliance in a secure place on a table or counter when using.
- Do not remove the appliance without unplugging it from the boiler first.
- Always disconnect the appliance when not in use.
- Do not use the appliance if the cord is damaged. Return the appliance or have the cord repaired by the manufacturer, or their service agent.
- Do not operate the appliance if it has been dropped or damaged. Do not disassemble the appliance. Incorrect reassembly can cause a risk of personal injury. Send it to an authorized service center for repair.
- Be careful. Burns can occur from touching hot metal parts or steam.
- Keep out of reach of children.
- Always turn the steam button on the boiler OFF before disconnecting the steam wand attachment from the boiler unit.
- Only use the attachment for its intended use.

Important: When you want to dispose of the appliance, NEVER throw it in the garbage. Instead, go to your closest recycling station or waste collection centre for subsequent treatment. In this way, you will be contributing to looking after the environment.

Features

- 60 cm extra long nozzle
- Perfect for upholstery, automotive cushions, seams, and detailed interior work
- Directs powerful, focused steam into tight and hard to access areas
- Compatible with Reliable Steam Boilers

How to Assemble and Use

1. Remove the steam nozzle from its packing and make sure all packing parts have been taken off (including the protective bags).
2. Connect the steam hose using the quick connect attachment.
3. Push the steam button to release steam.
4. Please wait 30 minutes for the steam nozzle to cool down before storing it away.

Note: Some condensation may remain in the hose between uses. You may notice a few drops of water when you first activate the steam. This is normal and will clear quickly with continued use.

Specifications

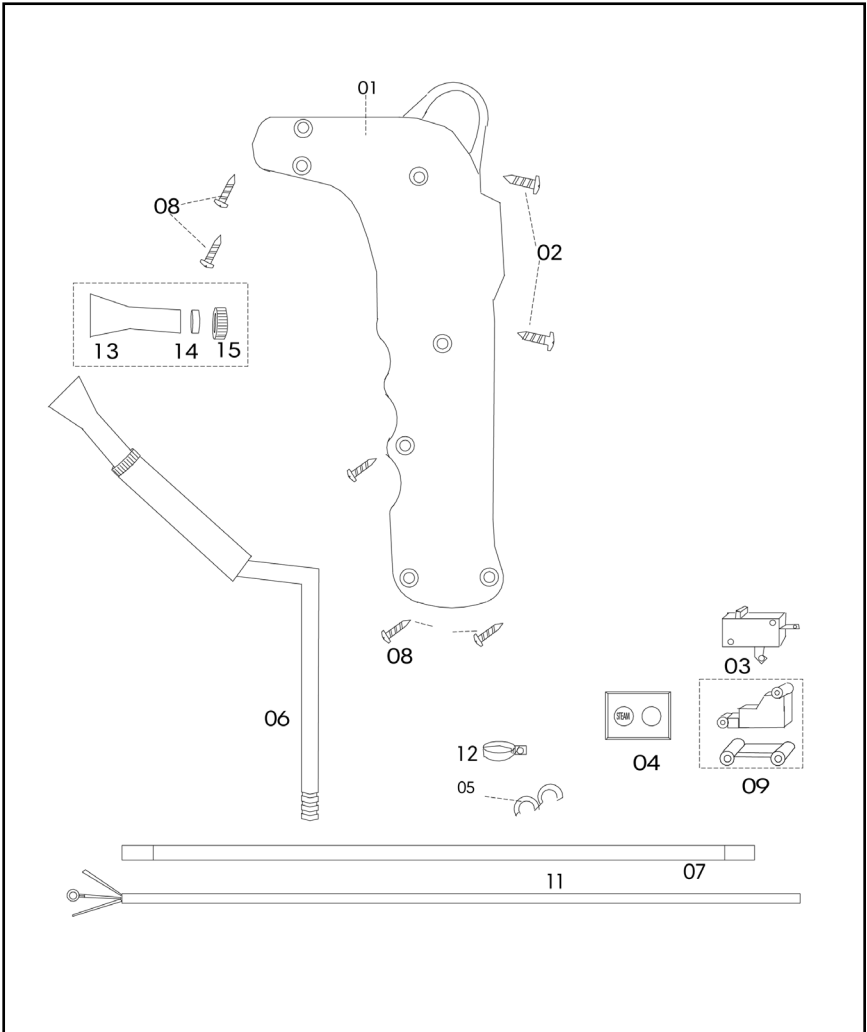
3400UA Extra Long Steam Rod

Electrical 120V

Steam Hose 72"

Nozzle 60 cm

Parts Drawing



Reliable Corporation (“Reliable”) offers a **1-year** warranty for its products (a “Reliable Product”) from the original purchase date, as long as the product is properly used and maintained.

What’s Covered

- Reliable will repair or replace any defective parts caused by poor workmanship or materials.
- If the product can’t be repaired or replaced with the same model, it will be replaced with a current model of equal or greater value.
- Repaired or replaced parts will be either new or refurbished to work like new.
- If Reliable cannot repair or replace the product, they will refund its current value.

What’s Not Covered

This warranty does not cover:

- Damage caused by improper installation, accidents, abuse, misuse, natural disasters, electrical issues, or wear and tear from normal use.
- Products that have been altered, disassembled, or modified without authorization.
- Products not purchased directly from Reliable or an authorized dealer.
- Indirect, consequential, or incidental damages, including third-party claims.

Warranty Claim Process

To file a warranty claim:

- Contact customer service at 1-800-268-1649 or support@reliablecorporation.com.
- Provide your original receipt, which must show you’re the original purchaser and that the product was bought from Reliable or an authorized dealer.
- You will receive a Return Authorization (RA#). Ship the defective product (with proof of purchase and RA#) prepaid and insured to:
- Reliable Corporation, 5-100 Wingold Avenue, Toronto, ON M6B 4K7
- Note: Freight collect shipments will be refused. Loss or damage during shipping is your responsibility.

Additional Information:

This warranty applies to products used for personal, and not commercial or rental, service. Reliable is not liable for incidental or consequential damages of any nature associated with the use of this product. Reliable’s liability will not exceed the purchase price of the product.

For questions, contact:

Reliable Corporation
100 Wingold Avenue, Unit 5
Toronto, Ontario
Canada M6B 4K7
www.reliablecorporation.com



1 800 268 1649
www.reliablecorporation.com

05052026