



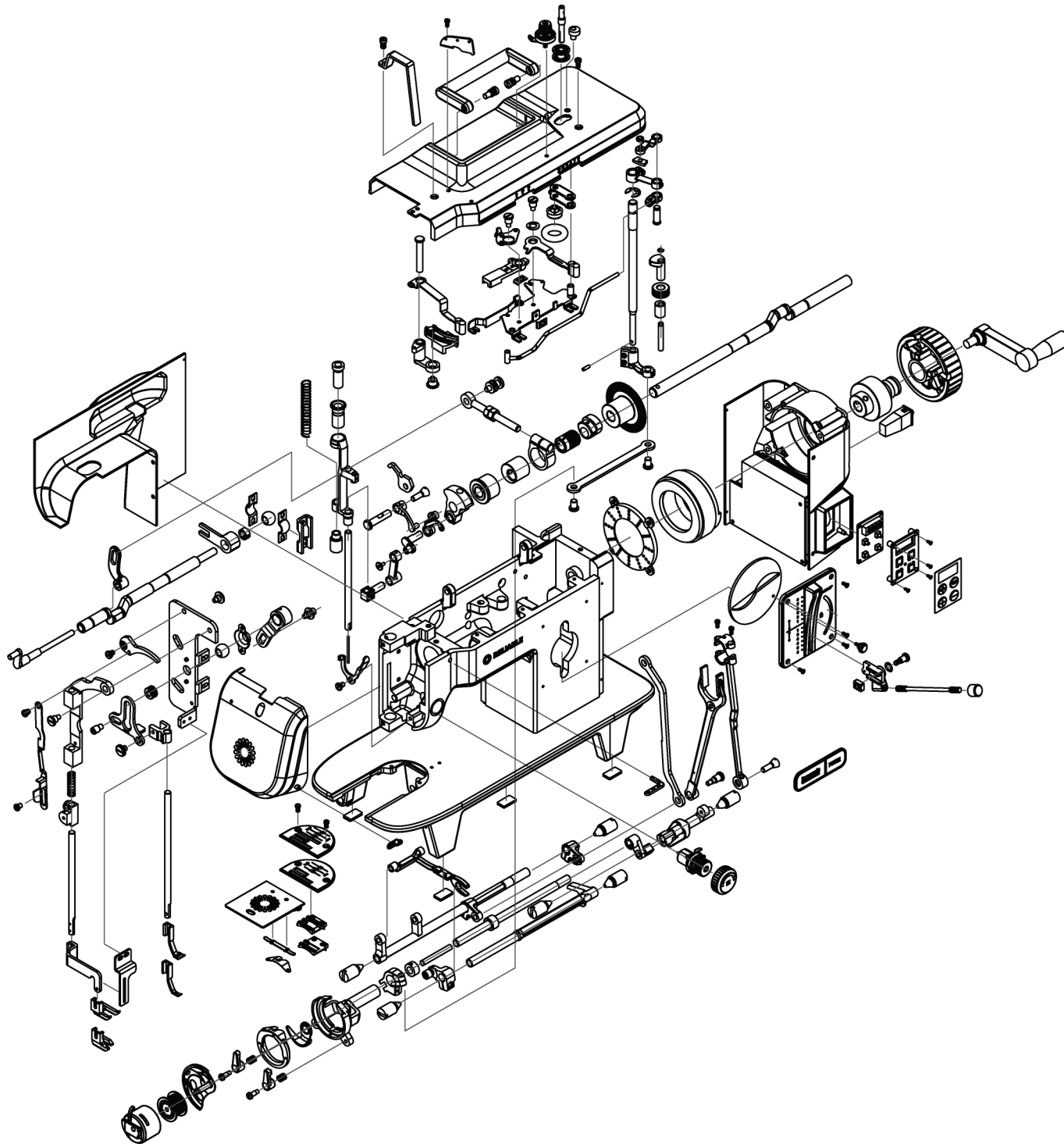
500BZ/ 500BW/ 700BZ/ 700BW

# Barracuda™ Parts Book

# 700BZ Parts



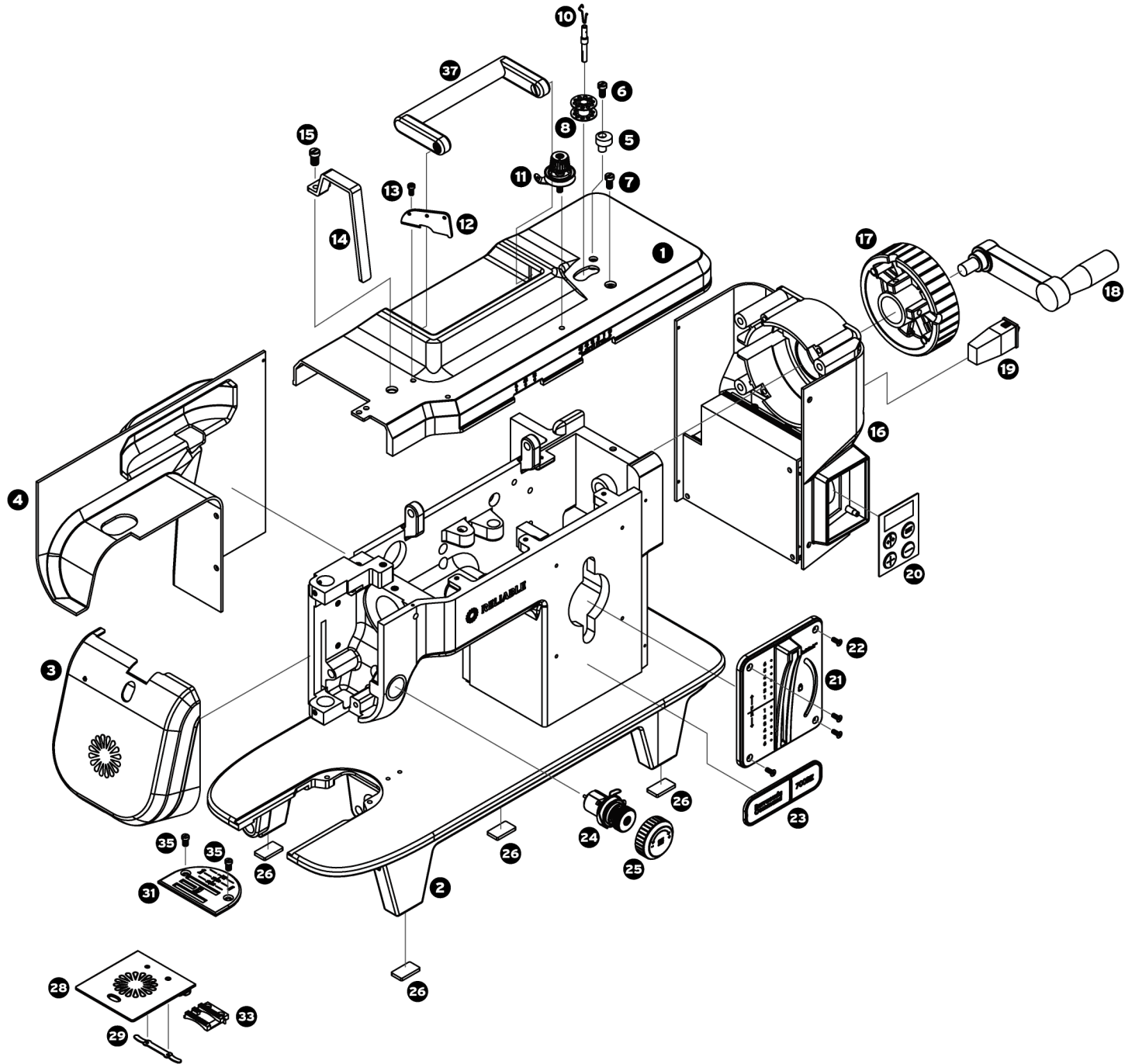
CONSTRUCTIONAL  
Command  
700BZ



# GROUP 1 CONSTRUCTION EXTERNAL GROUP

Command

700BZ



# 700BZ Group 1

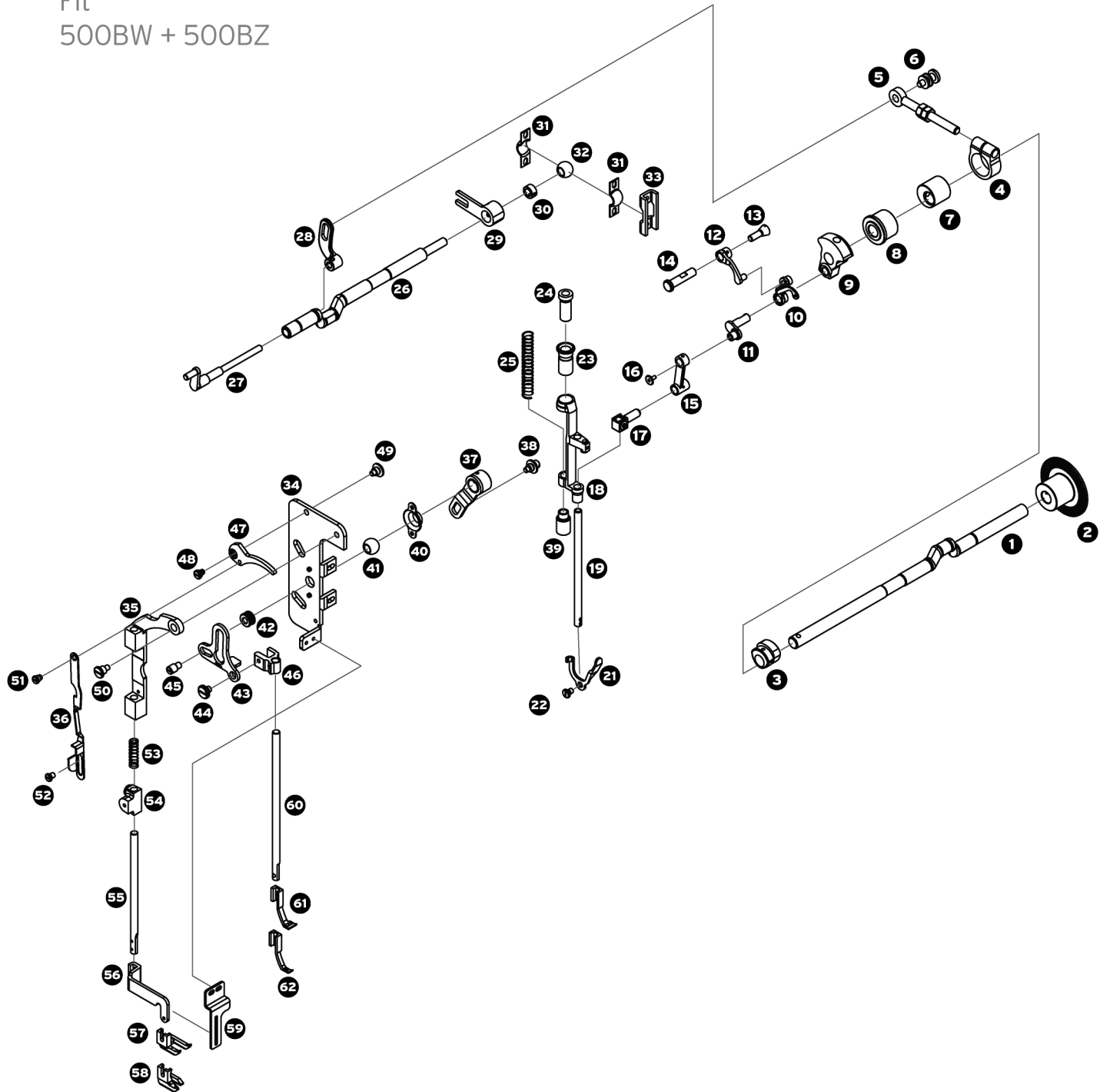
Key No.	Part Number	Part Name	Quantity
1.	7G1-1	TOP PLATE	1
2.	7G1-2	BED	1
3.	7G1-3	FACE PLATE	1
4.	7G1-4	BACK PLATE	1
5.	7G1-5	BOBBIN WINDER STOPPER	1
6.	7G1-6	BOBBIN WINDER STOPPER SET SCREW	1
7.	7G1-7	TOP PLATE SET SCREW	1
8.	57ABOBBIN	BOBBIN	1
10.	7G1-10	BOBBIN WINDER POST	1
11.	7G1-11	BOBBIN WINDER TENSION ASSEMBLY	1
12.	7G1-12	DETANGLER	1
13.	7G1-13	DETANGLER SET SCREW	1
14.	7G1-14	THREAD TAKE-UP LEVER COVER	1
15.	7G1-15	TOP PLATE SET SCREW	1
16.	7G1-16	ELECTRONIC CONTROL BOX ASSEMBLY	1
17.	7G1-17	HAND WHEEL	1
18.	7ACRANK	HAND CRANK	1
19.	7G1-19	ON/OFF SWITCH	1
20.	7G1-20	DIGITAL CONTROL PANEL	1

<b>Key No.</b>	<b>Part Number</b>	<b>Part Name</b>	<b>Quantity</b>
21.	7G1-21	STITCH LENGTH PLATE	1
22.	7G1-22	STITCH LENGTH PLATE SET SCREWS	4
23.	7G1-BZ	PLATE	1
24.	7G1-24	TENSION ASSEMBLY	1
25.	7G1-25	TENSION ASSEMBLY KNOB	1
26.	7G1-26	FOOT PADS	4
28.	7G1-28	SHUTTLE RACE SLIDE	1
31.	7G1-31	NEEDLE PLATE	1
33.	57BZFEEDDOG	STANDARD ZIG-ZAG FEED DOG	1
35.	7G1-35	NEEDLE PLATE SET SCREW	2
36.	7G1-36	THREAD RETAINER	1
37.	7G1-37	CARRYING HANDLE	1

# GROUP 2 - SEWING TRANSMISSION GROUP

Command  
700BW + 700BZ

Fit  
500BW + 500BZ



## Group 2

Key No.	Part Number	Part Name	Quantity
1.	7G2-1	ARM SHAFT	1
2.	7G2-2	BOBBIN WINDER DRIVE WHEEL	1
3.	7G2-3	FEED CAM	1
4.	7G2-4	CRANK ROD LEVER CAM FOLLOWER	1
5.	7G2-5	CRANK ROD LEVER CAM SCREW	1
6.	7G2-6	CRANK ROD ROCKET SCREW ASSEMBLY	1
7.	7G2-7	PRESSER BAR ACTUATOR "CAM"	1
8.	7G2-8	ARM SHAFT BUSHING	1
9.	7G2-9	THREAD TAKE-UP LEVER CAM	1
10.	7G2-10	THREAD TAKE-UP LEVER UNIT	1
11.	7G2-11	THREAD TAKE-UP CRANK	1
12.	7G2-12	CONNECTING ROD	1
13.	7G2-13	CONNECTING ROD SET SCREW	1
14.	7G2-14	CONNECTING ROD PIN	1
15.	7G2-15	NEEDLE BAR CONNECTING ROD	1
16.	7G2-16	NEEDLE BAR CONNECTING ROD SET SCREW	1
17.	7G2-17	NEEDLE BAR CONNECTING STUD	1
18.	7G2-18	NEEDLE BAR SUPPORT	1
19.	7G2-19	NEEDLE BAR	1

<b>Key No.</b>	<b>Part Number</b>	<b>Part Name</b>	<b>Quantity</b>
21.	7G2-21	TENSION RELEASE LEVER	1
22.	7G2-22	TENSION RELEASE LEVER SET SCREW	1
23.	7G2-23	PRESSER REGULATING THUMB SET SCREW	1
24.	7G2-24	PRESSER REGULATING THUMB SCREW	1
25.	7G2-25	PRESSER BAR SPRING	1
26.	7G2-26	CRANK ROD	1
27.	7G2-27	PRESSER BAR FEED ROD	1
28.	7G2-28	PRESSER BAR ACTUATOR UP-DOWN ROCKER	1
29.	7G2-29	CRANK ROD ROCKER	1
30.	7G2-30	ROCKER END SET RING	1
31.	7G2-31	LIFT CRANK ROD BEARING BRACKET PLATE	2
32.	7G2-32	BEARING BRACKET BUSHING	1
33.	7G2-33	CRANK ROCK BEARING SET BASE	1
34.	7G2-34	END PLATE	1
35.	7G2-35	PRESSER BAR TRACK	1
36.	7G2-36	LIFT BAR	1
37.	7G2-37	PRESSER BAR ACTUATOR FEED ROCKER	1
38.	7G2-38	PRESSER BAR TRACK FEED STUD	1
39.	7G2-39	PRESSER BAR LOWER BUSHING	1

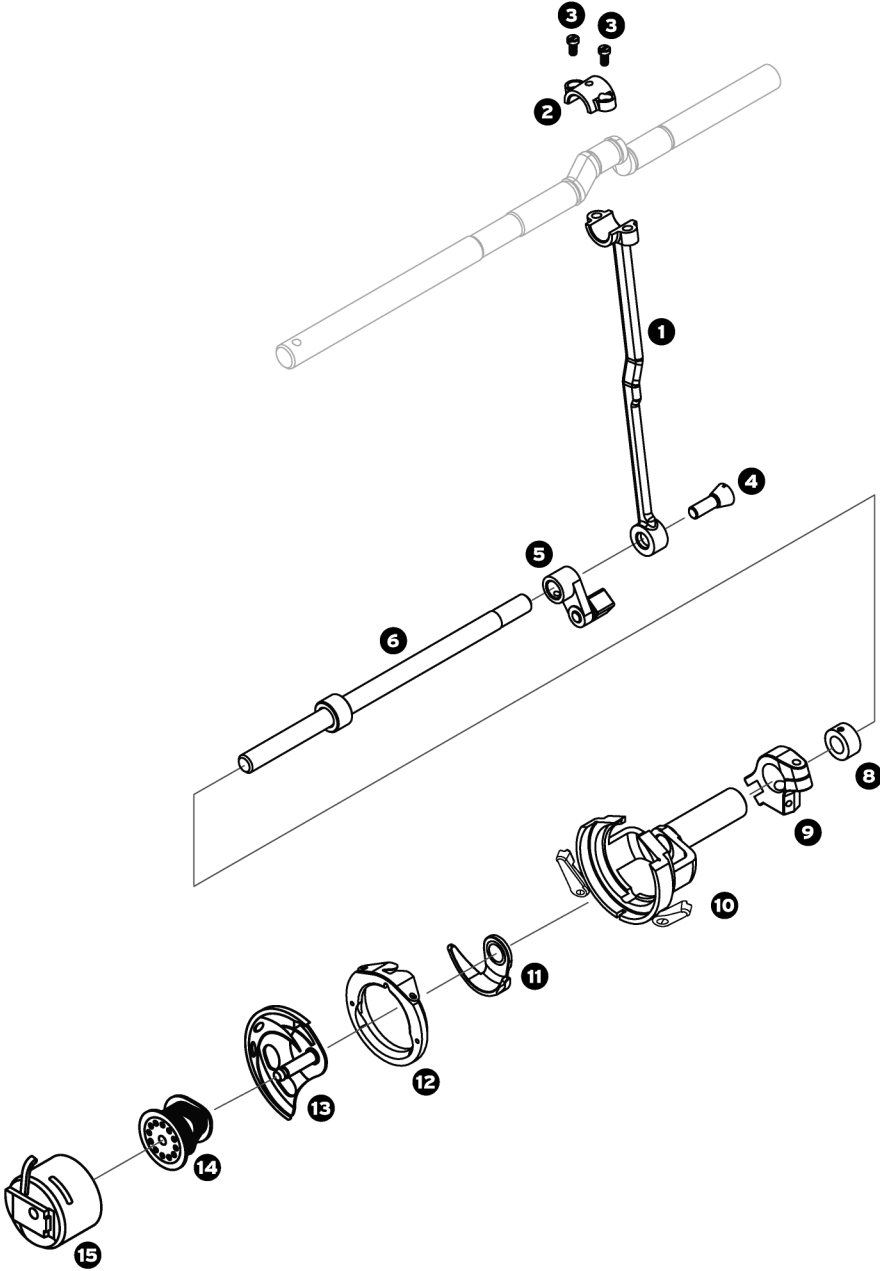
<b>Key No.</b>	<b>Part Number</b>	<b>Part Name</b>	<b>Quantity</b>
40.	7G2-40	END PLATE BEARING SET PLATE	1
41.	7G2-41	BEARING BRACKET BUSHING	1
42.	7G2-42	PRESSER BAR ACTUATOR SPACER	1
43.	7G2-43	PRESSER BAR ACTUATOR	1
44.	7G2-44	PRESSER BAR ACTUATOR PIVOT SCREW	1
45.	7G2-45	PRESSER BAR ACTUATOR FEED SCREW	1
46.	7G2-46	PRESSER BAR BRACKET	1
47.	7G2-47	PRESSER BAR LIFTER	1
48.	7G2-48	PRESSER BAR LIFTER HINGE SCREW	1
49.	7G2-49	HINGE SET SCREW	1
50.	7G2-50	PRESSER BAR TRACK HINGE SCREW	1
51.	7G2-51	UPPER LIFT BAR SCREW	1
52.	7G2-52	LIFT BAR GUIDE SCREW	1
53.	7G2-53	PRESSER BAR LOAD SPRING (REAR)	1
54.	7G2-54	REAR PRESSER BAR BRACKET	1
55.	7G2-55	REAR PRESSER BAR	1
56.	7G2-56	OUTSIDE PRESSER FOOT BRACKET	1
57.	7G2-57	OUTSIDE PRESSER FOOT	1
58.	7G2-58	WELTING FOOT OUTSIDE PRESSER FOOT	1
59.	7G2-59	OUTSIDE PRESSER FOOT BRACKET LIMITER	1

<b>Key No.</b>	<b>Part Number</b>	<b>Part Name</b>	<b>Quantity</b>
60.	7G2-60	PRESSER BAR	1
61.	7G2-61	INSIDE PRESSER FOOT	1
62.	7G2-62	INSIDE WELTING FOOT	1

GROUP 3 - SHUTTLE TRANSMISSION GROUP

Command  
700BW + 700BZ

Fit  
500BW + 500BZ



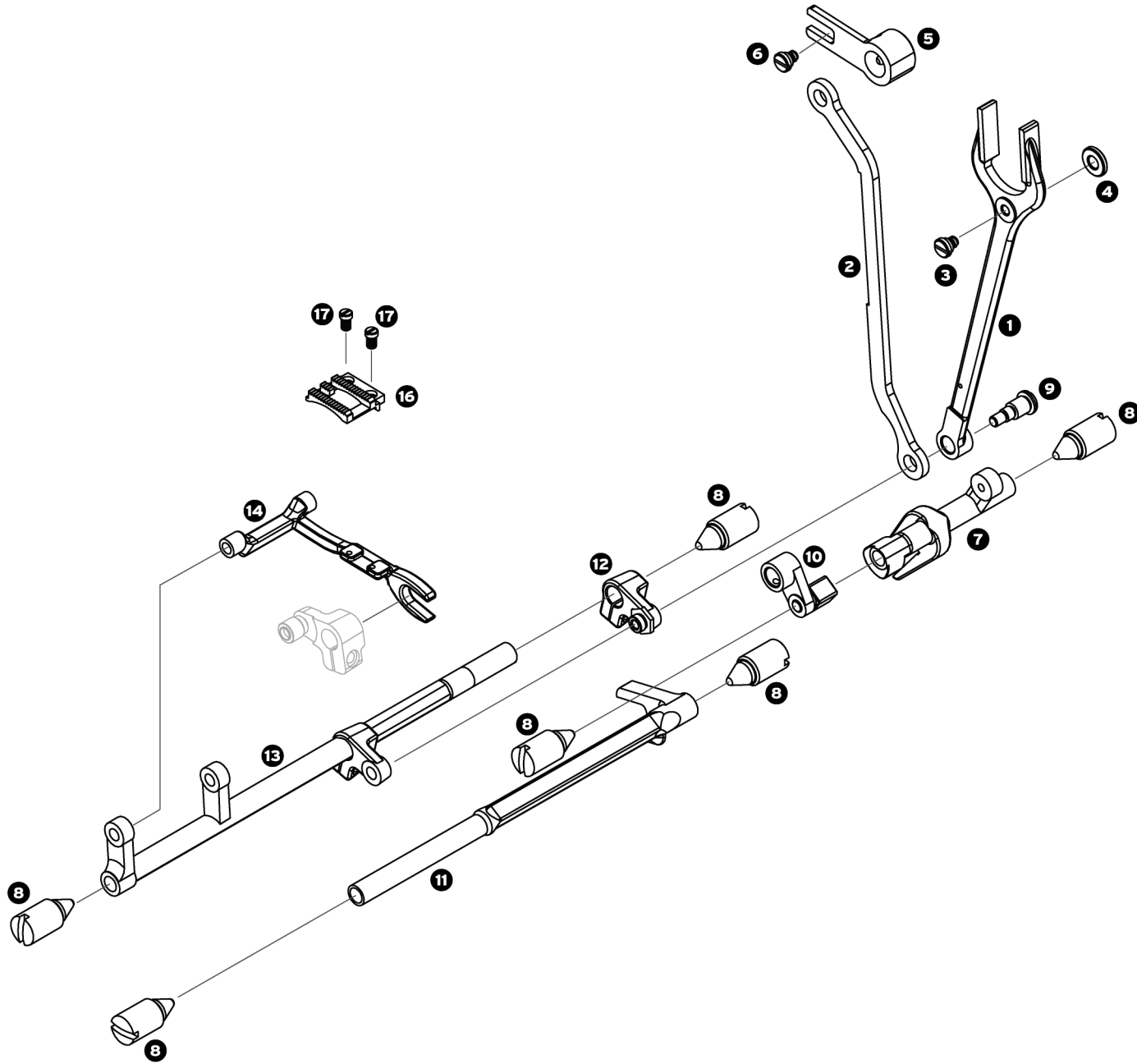
## Group 3

Key No.	Part Number	Part Name	Quantity
1.	7G3-1	CRANK CONNECTING ROD	1
2.	7G3-2	CRANK CONNECTING ROD CAP	1
3.	7G3-3	CRANK CONNECTING ROD CAP SET SCREW	2
4.	7G3-4	CRANK CONNECTING ROD SET SCREW	1
5.	7G3-5	OSCILLATING SHAFT CRANK WITH SLIDE BLOCK	1
6.	7G3-6	LOWER SHAFT	1
8.	7G3-8	LOWER SHAFT COLLAR	2
9.	7G3-9	SHUTTLE RACE GUIDE	1
10.	7G3-10	SHUTTLE RACE SHAFT	1
11.	7G3-11	SHUTTLE DRIVER	1
12.	7G3-12	RETAINING RING WITH CAP SPRING	1
13.	7G3-13	SHUTTLE HOOK	1
14.	57ABOBBIN	BOBBIN	1
15.	RELD100	BOBBIN CASE	1

# GROUP 4 - FEED TRANSMISSION GROUP

Command  
700BW + 700BZ

Fit  
500BW + 500BZ



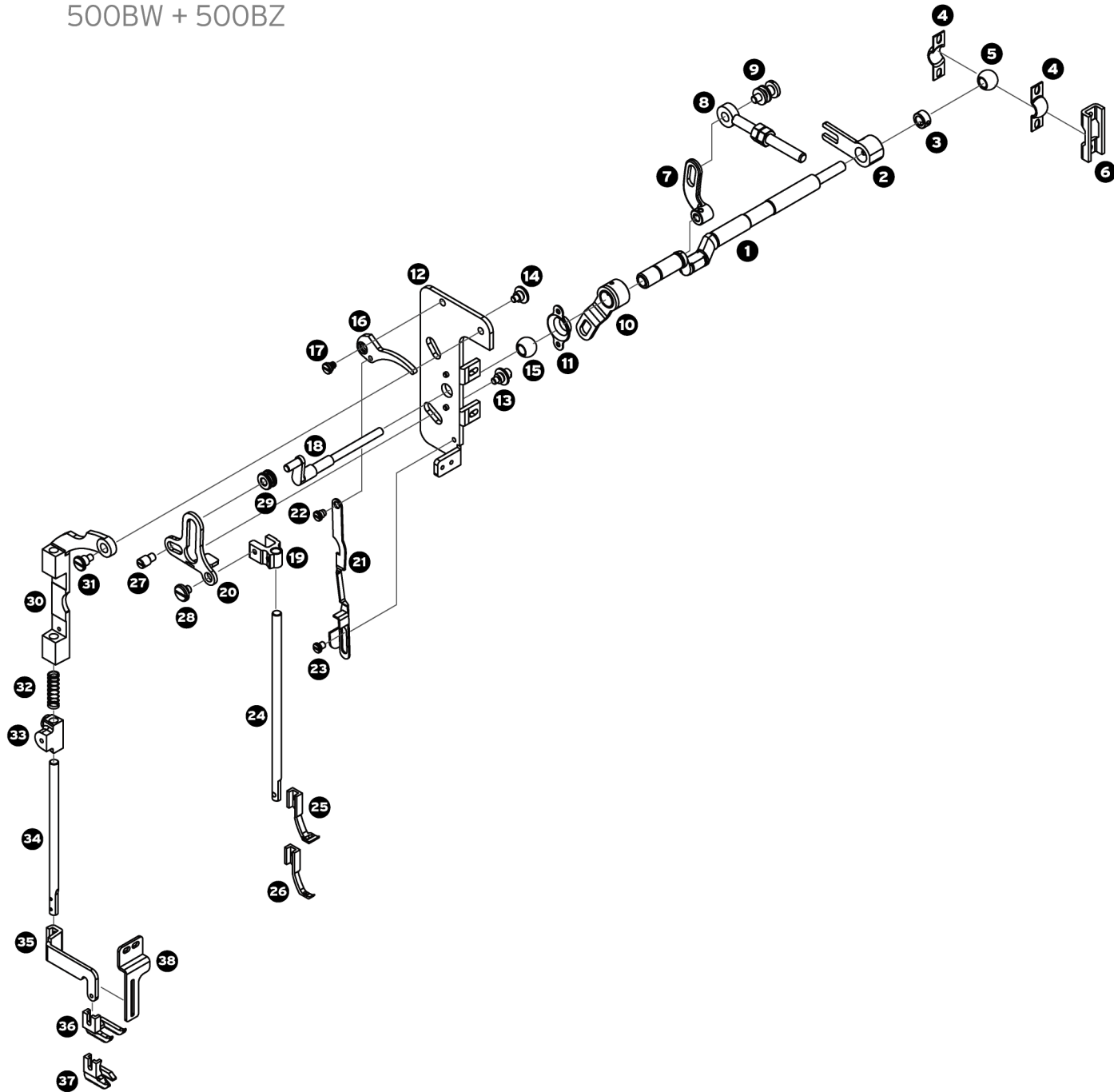
## Group 4

Key No.	Part Number	Part Name	Quantity
1.	7G4-1	FORKED ROD	1
2.	7G4-2	DRIVING CRANK	1
3.	7G4-3	FEED CONNECTION SLIDE BLOCK STUD	1
4.	7G4-4	FEED CONNECTION SLIDE BLOCK	1
5.	7G2-29	CRANK ROD ROCKER	1
6.	7G4-6	GUIDE SCREW	1
7.	7G4-7	OSCILLATING SHAFT	1
8.	7G4-8	OSCILLATION SHAFT SET SCREW AND NUT	8
9.	7G4-9	DRIVING CRANK GUIDE SCREW	1
10.	7G3-5	OSCILLATING SHAFT CRANK WITH SLIDE BLOCK	1
11.	7G4-11	FEED LIFTING ROCK SHAFT CRANK	1
12.	7G4-12	FEED ROCK SHAFT CRANK	1
13.	7G4-13	FEED ROCK SHAFT	1
14.	7G4-14	FEED BAR	1
16.	57BZFEEDDOG	STANDARD ZIG-ZAG FEED DOG	1
17.	7G4-17	FEED DOG SCREW	2

# GROUP 5 - DRIVING AND REVERSING MECHANISM GROUP

Command  
700BW + 700BZ

Fit  
500BW + 500BZ



## Group 5

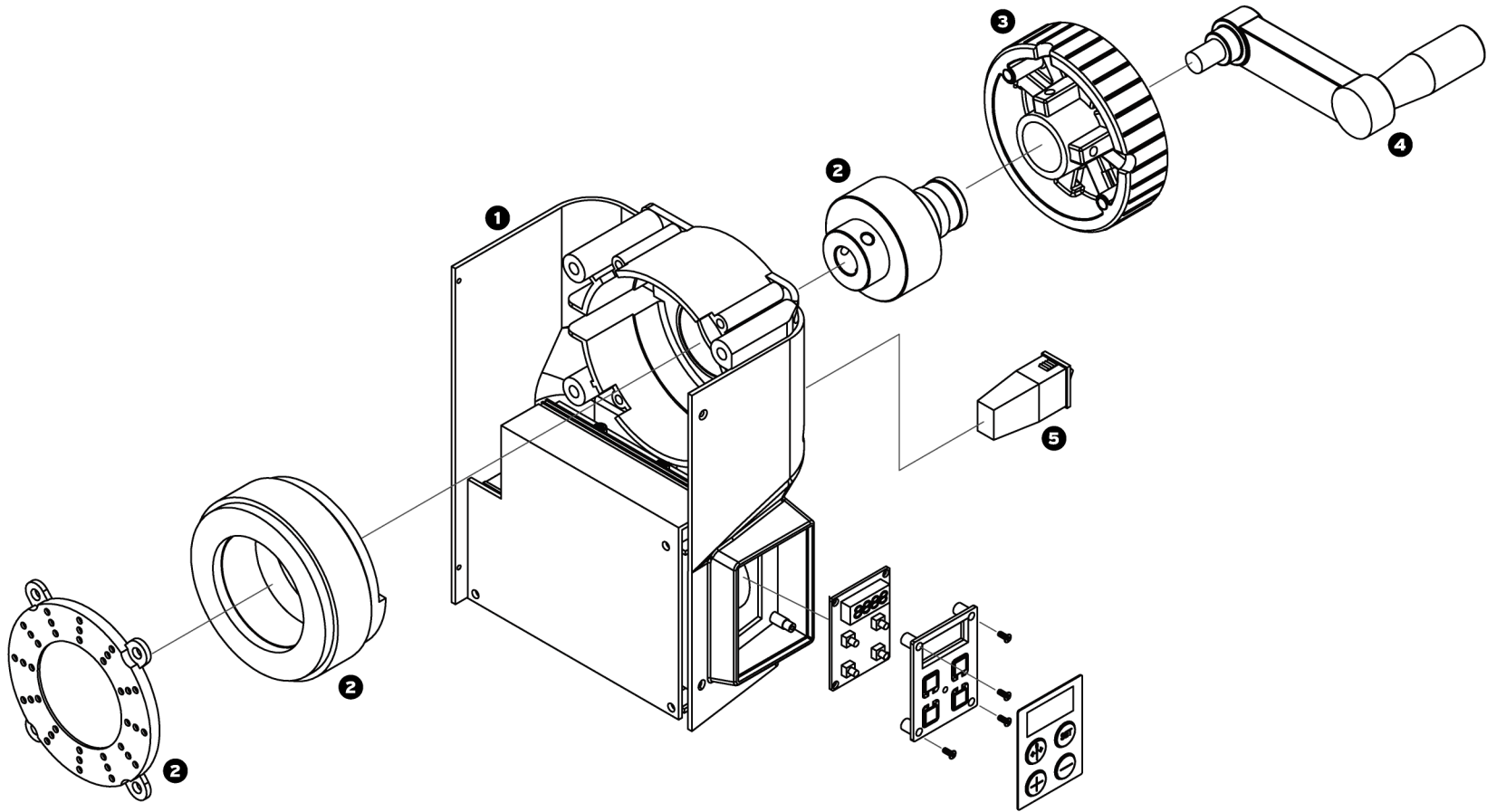
Key No.	Part Number	Part Name	Quantity
1.	7G2-26	CRANK ROD	1
2.	7G2-29	CRANK ROD ROCKER	1
3.	7G2-30	ROCKER END SET RING	1
4.	7G2-31	LIFT CRANK ROD BEARING BRACKET PLATE	2
5.	7G2-32	BEARING BRACKET BUSHING	1
6.	7G2-33	CRANK ROCK BEARING SET BASE	1
7.	7G2-28	PRESSER BAR ACTUATOR UP-DOWN ROCKER	1
8.	7G2-5	CRANK ROD LEVER CAM SCREW	1
9.	7G2-6	CRANK ROD ROCKET SCREW ASSEMBLY	1
10.	7G2-37	PRESSER BAR ACTUATOR FEED ROCKER	1
11.	7G2-40	END PLATE BEARING SET PLATE	1
12.	7G2-34	END PLATE	1
13.	7G2-38	PRESSER BAR TRACK FEED STUD	1
14.	7G2-49	HINGE SET SCREW	1
15.	7G2-32	BEARING BRACKET BUSHING	1
16.	7G2-47	PRESSER BAR LIFTER	1
17.	7G2-48	PRESSER BAR LIFTER HINGE SCREW	1
18.	7G2-27	PRESSER BAR FEED ROD	1
19.	7G2-46	PRESSER BAR BRACKET	1

<b>Key No.</b>	<b>Part Number</b>	<b>Part Name</b>	<b>Quantity</b>
20.	7G2-43	PRESSER BAR ACTUATOR	1
21.	7G2-36	LIFT BAR	1
22.	7G2-51	UPPER LIFT BAR SCREW	1
23.	7G2-52	LIFT BAR GUIDE SCREW	1
24.	7G2-60	PRESSER BAR	1
25.	7G2-61	INSIDE PRESSER FOOT	1
26.	7G2-62	INSIDE WELTING FOOT	1
27.	7G2-45	PRESSER BAR ACTUATOR FEED SCREW	1
28.	7G2-44	PRESSER BAR ACTUATOR PIVOT SCREW	1
29.	7G2-42	PRESSER BAR ACTUATOR SPACER	1
30.	7G2-35	PRESSER BAR TRACK	1
31.	7G2-50	PRESSER BAR TRACK HINGE SCREW	1
32.	7G2-53	PRESSER BAR LOAD SPRING (REAR)	1
33.	7G2-54	REAR PRESSER BAR BRACKET	1
34.	7G2-55	REAR PRESSER BAR	1
35.	7G2-56	OUTSIDE PRESSER FOOT BRACKET	1
36.	7G2-57	OUTSIDE PRESSER FOOT	1
37.	7G2-58	WELTING FOOT OUTSIDE PRESSER FOOT	1
38.	7G2-59	OUTSIDE PRESSER FOOT ELIMINATOR	1

GROUP 6 - ELECTRIC POWER AND DYNAMIC TRANSMISSION

Command

700BW + 700BZ



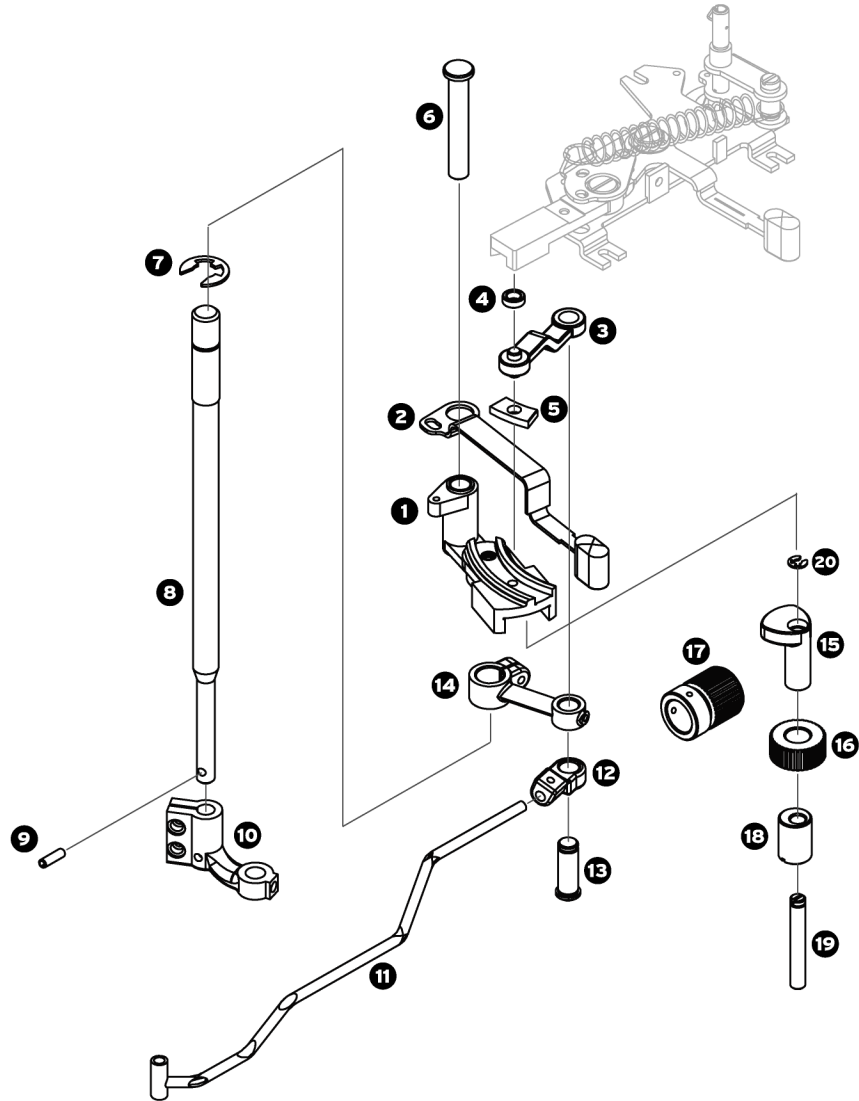
# Group 6

Key No.	Part Number	Part Name	Quantity
1.	7G1-16	ELECTRONIC CONTROL BOX ASSEMBLY	1
2.	7G6-2	MOTOR	1
3.	7G1-17	HAND WHEEL	1
4.	7ACRANK	HAND CRANK	1
5.	7G1-19	ON/OFF SWITCH	1
6.	7G1-20	DIGITAL CONTROL PANEL	1

# GROUP 7 - ZIG ZAG MECHANISM GROUP

Command  
700BZ

Fit  
500BZ



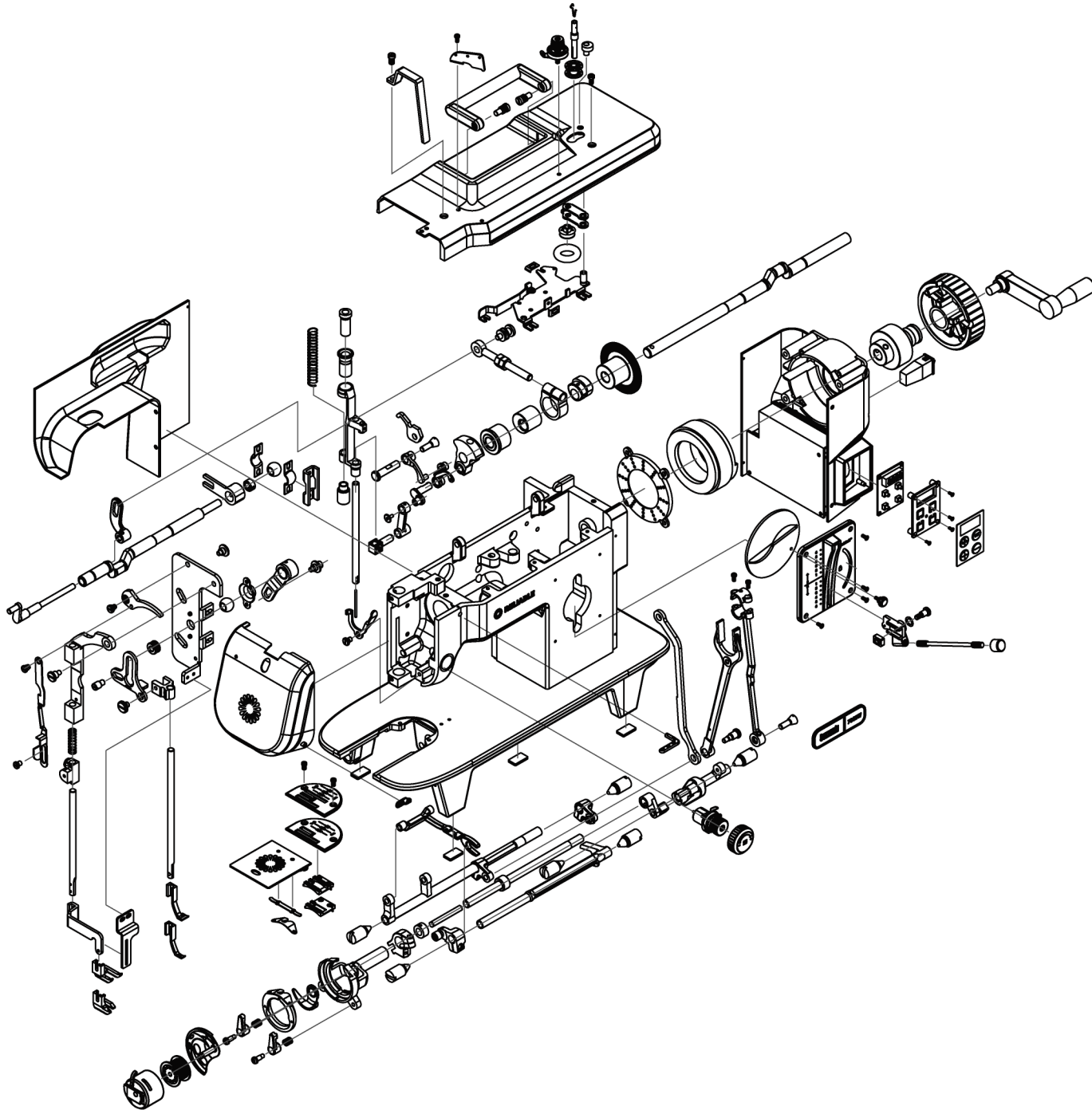
## Group 7

Key No.	Part Number	Part Name	Quantity
1.	7G7-1	NEEDLE DISPLACEMENT REGULATOR (ASSEMBLY)	1
2.	7G7-2	NEEDLE POSITION COMPLETE LEVER	1
3.	7G7-3	ZIG-ZAG CONNECTING LINK SLIDE BLOCK TOP	1
4.	7G7-4	COLLAR FOR ZIG-ZAG CONNECTING LINK	1
5.	7G7-5	BLOCK SLIDE	1
6.	7G7-6	NEEDLE POSITION PIN	1
7.	7G7-7	ZIG ZAG VERTICAL SHAFT E-CLIP	1
8.	7G7-8	ZIG ZAG VERTICAL SHAFT	1
9.	7G7-9	ZIG ZAG VERTICAL SHAFT PIN	1
10.	7G7-10	ZIG ZAG VERTICAL SHAFT ARM	1
11.	7G7-11	ZIGZAG CONNECTING ROD	1
12.	7G7-11	ZIG-ZAG CONNECTING ROD SET BASE	1
13.	7G7-11	ZIG-ZAG CONNECTING ROD LEVER PIN	1
14.	7G7-14	ZIG-ZAG CONNECTING LINK SLIDE BLOCK BOTTOM	1
15.	7G7-15	ZIG-ZAG CAM	1
16.	7G7-16	ZIG-ZAG GEAR	1
17.	7G7-17	HELICAL GEAR	1
18.	7G7-18	ZIG-ZAG CAM BLOCK	1
19.	7G7-19	ZIG-ZAG CAM SHAFT	1

# 700BW Parts

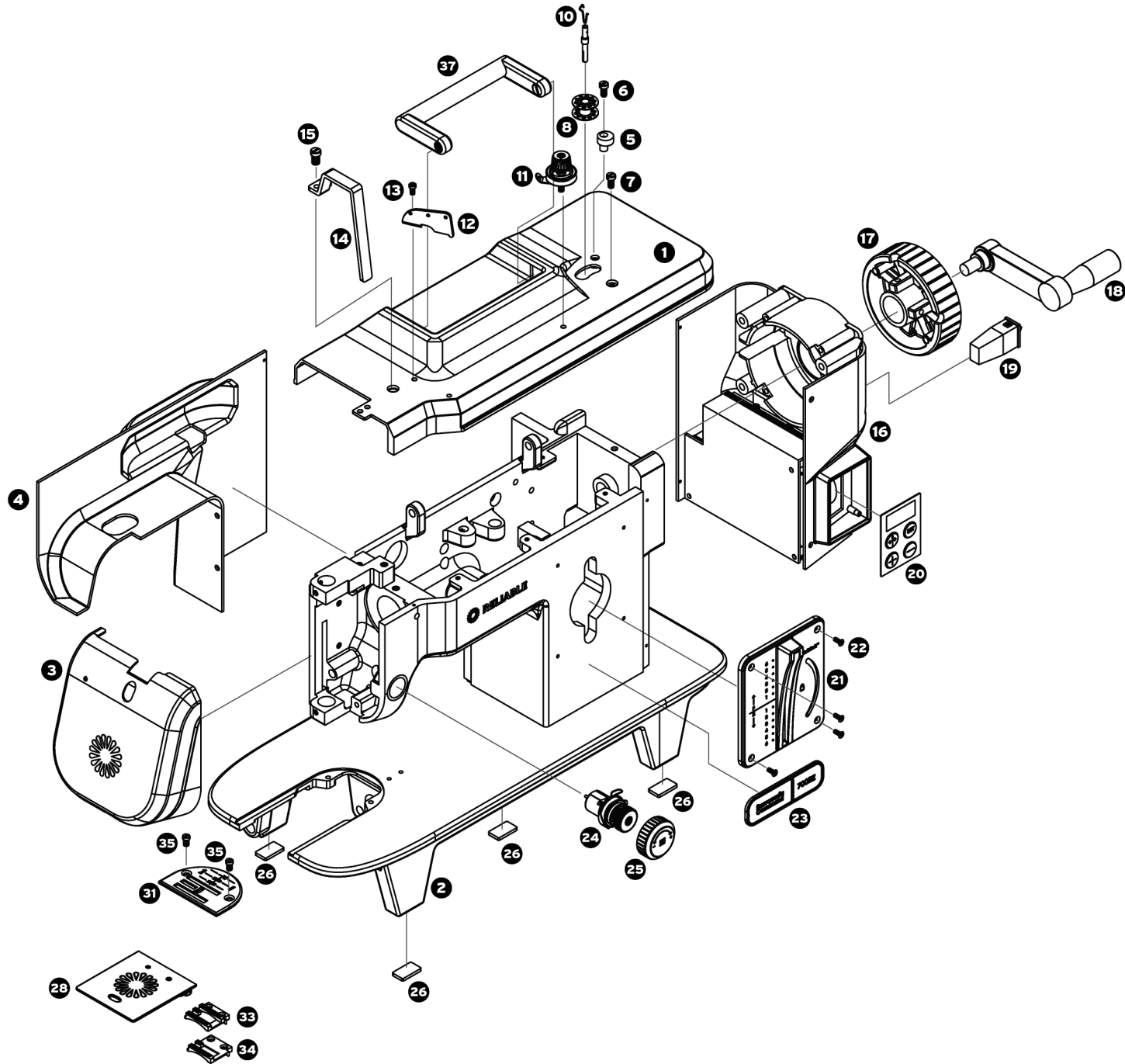


CONSTRUCTIONAL  
Command  
700BW



# GROUP 1 CONSTRUCTION EXTERNAL GROUP

Command  
700BW



# 700BW Group 1

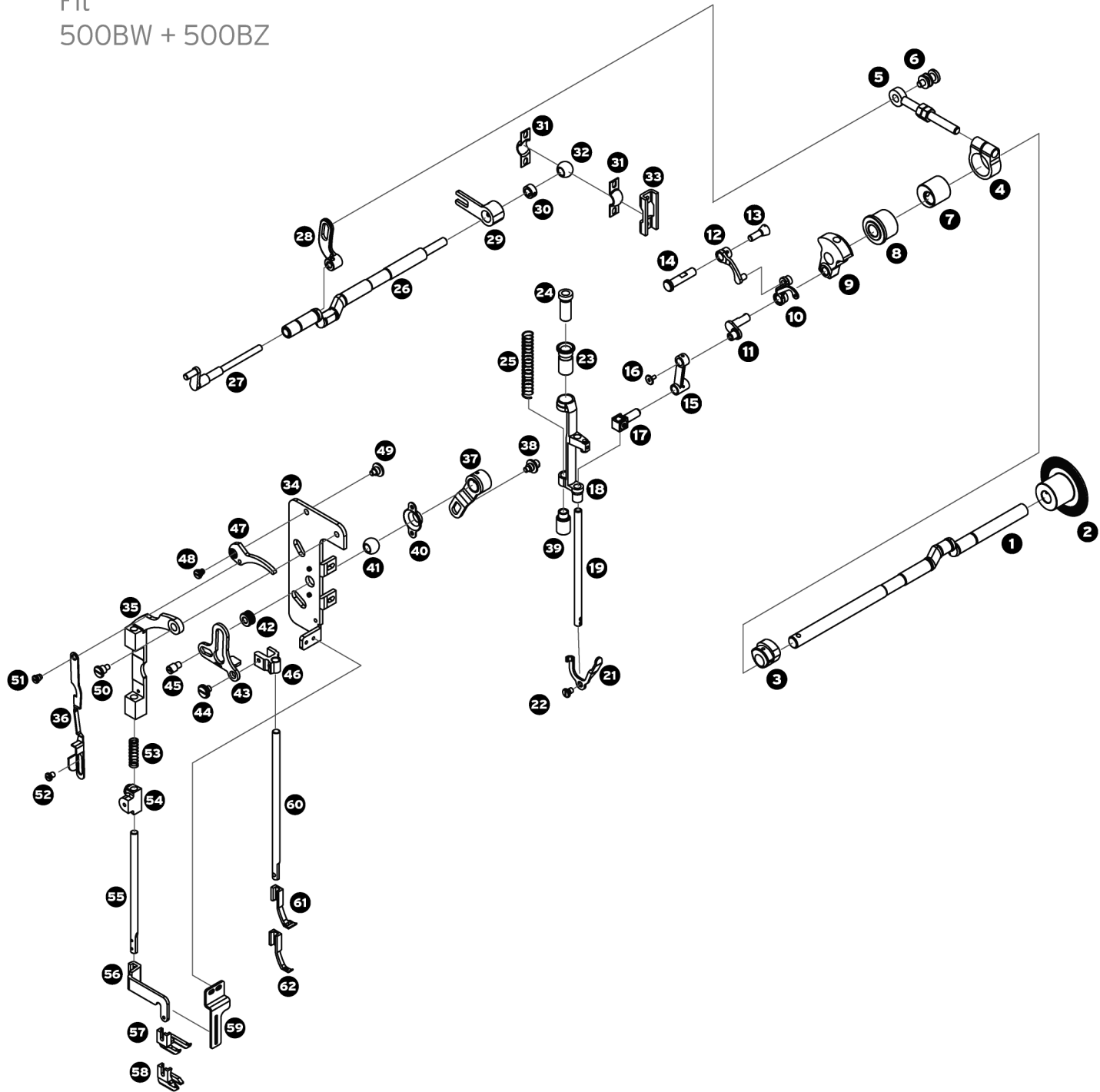
Key No.	Part Number	Part Name	Quantity
1.	7G1-1A	TOP PLATE	1
2.	7G1-2	BED	1
3.	7G1-3	FACE PLATE	1
4.	7G1-4	BACK PLATE	1
5.	7G1-5	BOBBIN WINDER STOPPER	1
6.	7G1-6	BOBBIN WINDER STOPPER SET SCREW	1
7.	7G1-7	TOP PLATE SET SCREW	1
8.	57ABOBBIN	BOBBIN	1
10.	7G1-10	BOBBIN WINDER POST	1
11.	7G1-11	BOBBIN WINDER TENSION ASSEMBLY	1
12.	7G1-12	DETANGLER	1
13.	7G1-13	DETANGLER SET SCREW	1
14.	7G1-14	THREAD TAKE-UP LEVER COVER	1
15.	7G1-15	TOP PLATE SET SCREW	1
16.	7G1-16	ELECTRONIC CONTROL BOX ASSEMBLY	1
17.	7G1-17	HAND WHEEL	1
18.	7ACRANK	HAND CRANK	1
19.	7G1-19	ON/OFF SWITCH	1
20.	7G1-20	CONTROL PANEL	1

<b>Key No.</b>	<b>Part Number</b>	<b>Part Name</b>	<b>Quantity</b>
21.	7G1-21	STITCH LENGTH PLATE	1
22.	7G1-22	STITCH LENGTH PLATE SET SCREWS	4
23.	7G1-BW	PLATE	1
24.	7G1-24	TENSION ASSEMBLY	1
25.	7G1-25	TENSION ASSEMBLY KNOB	1
26.	7G1-26	FOOT PADS	4
28.	7G1-28A	SHUTTLE RACE SLIDE	1
31.	7G1-31A	STRAIGHT STITCH NEEDLE PLATE	1
33.	57BWFD	STANDARD STRAIGHT STITCH FEED DOG	1
35.	7G1-35	NEEDLE PLATE SET SCREW	2
37.	7G1-37	CARRYING HANDLE	1

# GROUP 2 - SEWING TRANSMISSION GROUP

Command  
700BW + 700BZ

Fit  
500BW + 500BZ



## Group 2

Key No.	Part Number	Part Name	Quantity
1.	7G2-1	ARM SHAFT	1
2.	7G2-2	BOBBIN WINDER DRIVE WHEEL	1
3.	7G2-3	FEED CAM	1
4.	7G2-4	CRANK ROD LEVER CAM FOLLOWER	1
5.	7G2-5	CRANK ROD LEVER CAM SCREW	1
6.	7G2-6	CRANK ROD ROCKET SCREW ASSEMBLY	1
7.	7G2-7	PRESSER BAR ACTUATOR "CAM"	1
8.	7G2-8	ARM SHAFT BUSHING	1
9.	7G2-9	THREAD TAKE-UP LEVER CAM	1
10.	7G2-10	THREAD TAKE-UP LEVER UNIT	1
11.	7G2-11	THREAD TAKE-UP CRANK	1
12.	7G2-12	CONNECTING ROD	1
13.	7G2-13	CONNECTING ROD SET SCREW	1
14.	7G2-14	CONNECTING ROD PIN	1
15.	7G2-15	NEEDLE BAR CONNECTING ROD	1
16.	7G2-16	NEEDLE BAR CONNECTING ROD SET SCREW	1
17.	7G2-17	NEEDLE BAR CONNECTING STUD	1
18.	7G2-18	NEEDLE BAR SUPPORT	1
19.	7G2-19	NEEDLE BAR	1

<b>Key No.</b>	<b>Part Number</b>	<b>Part Name</b>	<b>Quantity</b>
21.	7G2-21	TENSION RELEASE LEVER	1
22.	7G2-22	TENSION RELEASE LEVER SET SCREW	1
23.	7G2-23	PRESSER REGULATING THUMB SET SCREW	1
24.	7G2-24	PRESSER REGULATING THUMB SCREW	1
25.	7G2-25	PRESSER BAR SPRING	1
26.	7G2-26	CRANK ROD	1
27.	7G2-27	PRESSER BAR FEED ROD	1
28.	7G2-28	PRESSER BAR ACTUATOR UP-DOWN ROCKER	1
29.	7G2-29	CRANK ROD ROCKER	1
30.	7G2-30	ROCKER END SET RING	1
31.	7G2-31	LIFT CRANK ROD BEARING BRACKET PLATE	2
32.	7G2-32	BEARING BRACKET BUSHING	1
33.	7G2-33	CRANK ROCK BEARING SET BASE	1
34.	7G2-34	END PLATE	1
35.	7G2-35	PRESSER BAR TRACK	1
36.	7G2-36	LIFT BAR	1
37.	7G2-37	PRESSER BAR ACTUATOR FEED ROCKER	1
38.	7G2-38	PRESSER BAR TRACK FEED STUD	1
39.	7G2-39	PRESSER BAR LOWER BUSHING	1

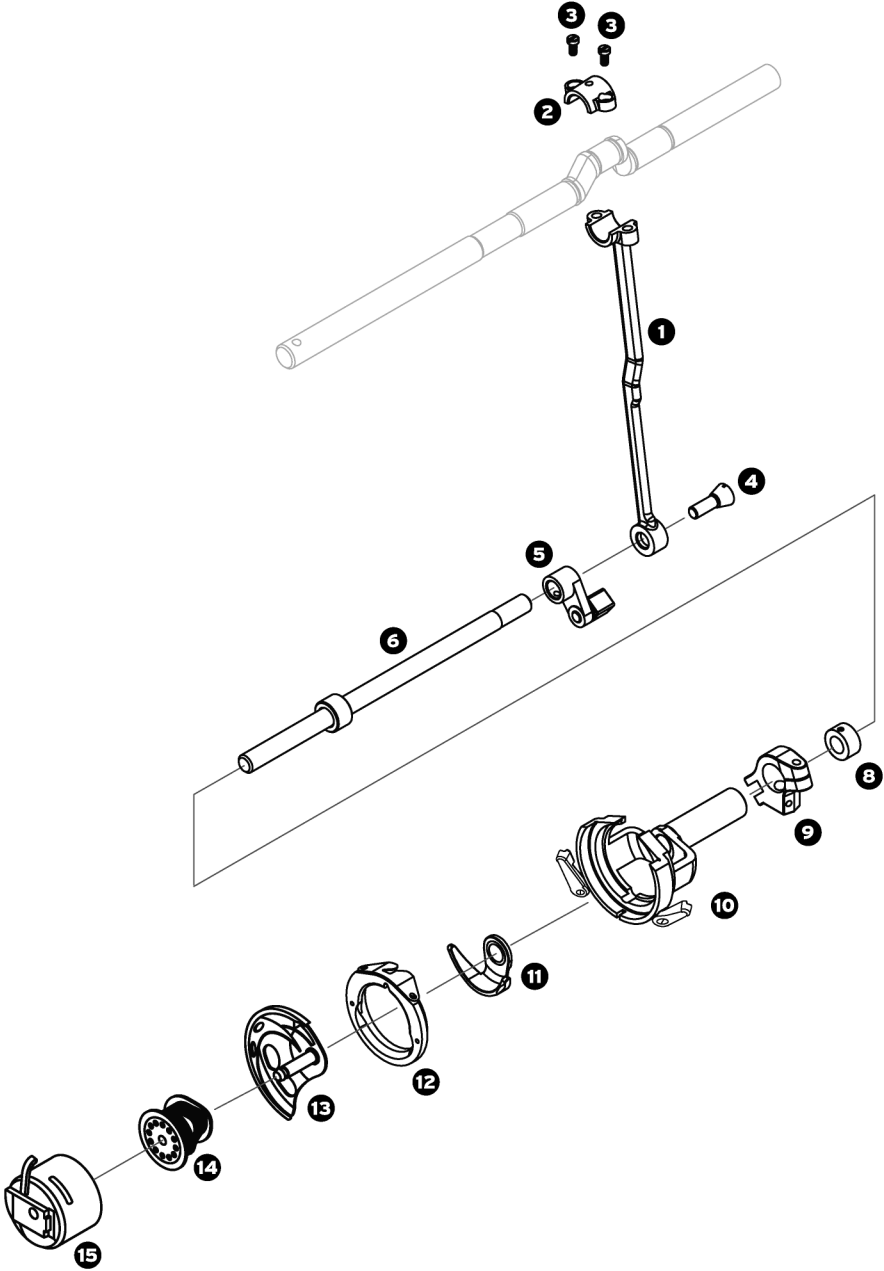
<b>Key No.</b>	<b>Part Number</b>	<b>Part Name</b>	<b>Quantity</b>
40.	7G2-40	END PLATE BEARING SET PLATE	1
41.	7G2-41	BEARING BRACKET BUSHING	1
42.	7G2-42	PRESSER BAR ACTUATOR SPACER	1
43.	7G2-43	PRESSER BAR ACTUATOR	1
44.	7G2-44	PRESSER BAR ACTUATOR PIVOT SCREW	1
45.	7G2-45	PRESSER BAR ACTUATOR FEED SCREW	1
46.	7G2-46	PRESSER BAR BRACKET	1
47.	7G2-47	PRESSER BAR LIFTER	1
48.	7G2-48	PRESSER BAR LIFTER HINGE SCREW	1
49.	7G2-49	HINGE SET SCREW	1
50.	7G2-50	PRESSER BAR TRACK HINGE SCREW	1
51.	7G2-51	UPPER LIFT BAR SCREW	1
52.	7G2-52	LIFT BAR GUIDE SCREW	1
53.	7G2-53	PRESSER BAR LOAD SPRING (REAR)	1
54.	7G2-54	REAR PRESSER BAR BRACKET	1
55.	7G2-55	REAR PRESSER BAR	1
56.	7G2-56	OUTSIDE PRESSER FOOT BRACKET	1
57.	7G2-57A	STRAIGHT STITCH OUTSIDE PRESSER FOOT	1
58.	7G2-58A	SMOOTH OUTSIDE PRESSER FOOT	1
59.	7G2-59	OUTSIDE PRESSER FOOT BRACKET LIMITER	1

<b>Key No.</b>	<b>Part Number</b>	<b>Part Name</b>	<b>Quantity</b>
60.	7G2-60	PRESSER BAR	1
61.	7G2-61A	STRAIGHT STITCH INSIDE PRESSER FOOT	1
62.	7G2-62A	SMOOTH INSIDE WELTING FOOT	1

GROUP 3 - SHUTTLE TRANSMISSION GROUP

Command  
700BW + 700BZ

Fit  
500BW + 500BZ



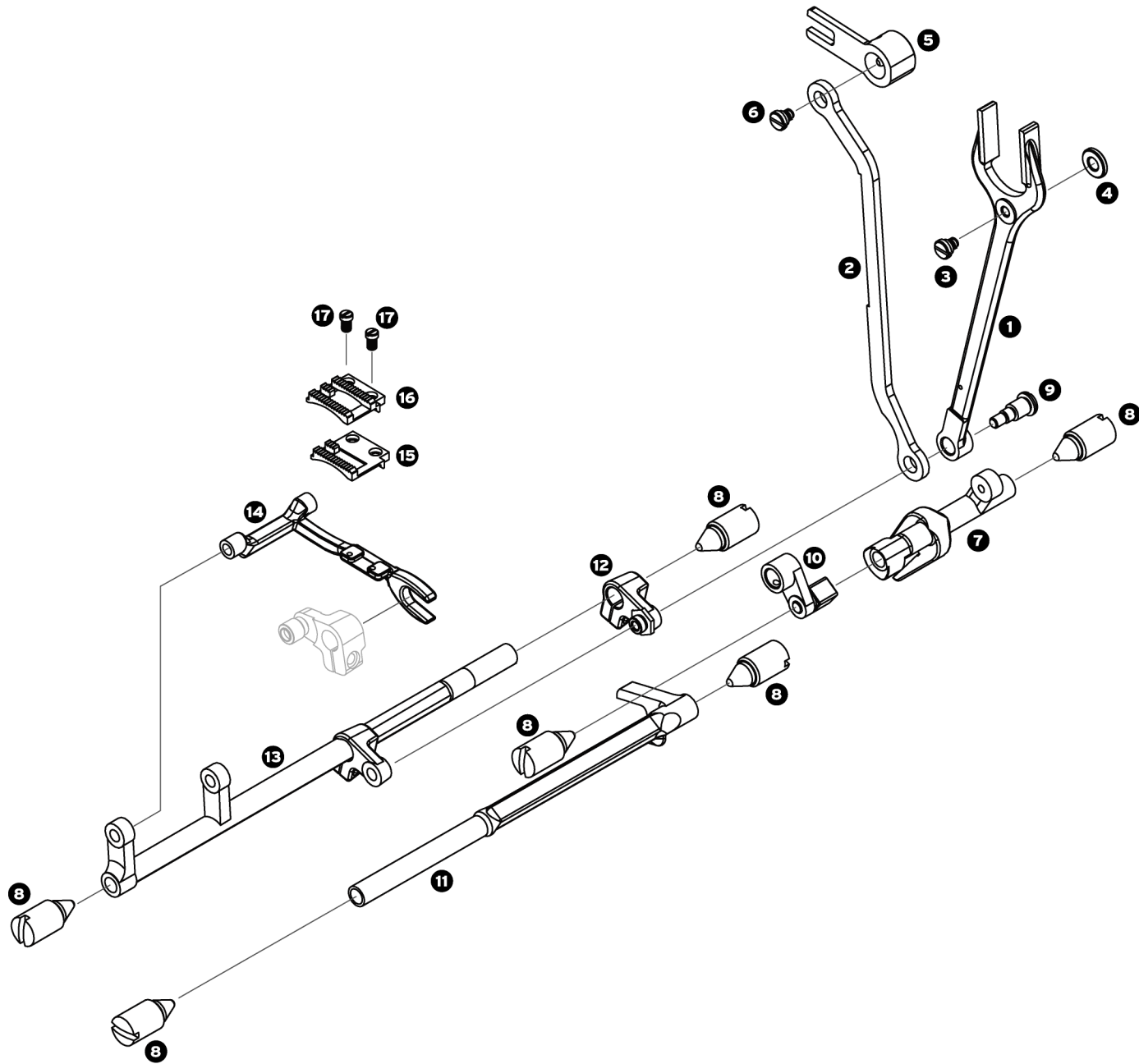
## Group 3

Key No.	Part Number	Part Name	Quantity
1.	7G3-1	CRANK CONNECTING ROD	1
2.	7G3-2	CRANK CONNECTING ROD CAP	1
3.	7G3-3	CRANK CONNECTING ROD CAP SET SCREW	2
4.	7G3-4	CRANK CONNECTING ROD SET SCREW	1
5.	7G3-5	OSCILLATING SHAFT CRANK WITH SLIDE BLOCK	1
6.	7G3-6	LOWER SHAFT	1
8.	7G3-8	LOWER SHAFT COLLAR	2
9.	7G3-9	SHUTTLE RACE GUIDE	1
10.	7G3-10	SHUTTLE RACE SHAFT	1
11.	7G3-11	SHUTTLE DRIVER	1
12.	7G3-12	RETAINING RING WITH CAP SPRING	1
13.	7G3-13	SHUTTLE HOOK	1
14.	57ABOBBIN	BOBBIN	1
15.	RELD100	BOBBIN CASE	1

# GROUP 4 - FEED TRANSMISSION GROUP

Command  
700BW + 700BZ

Fit  
500BW + 500BZ



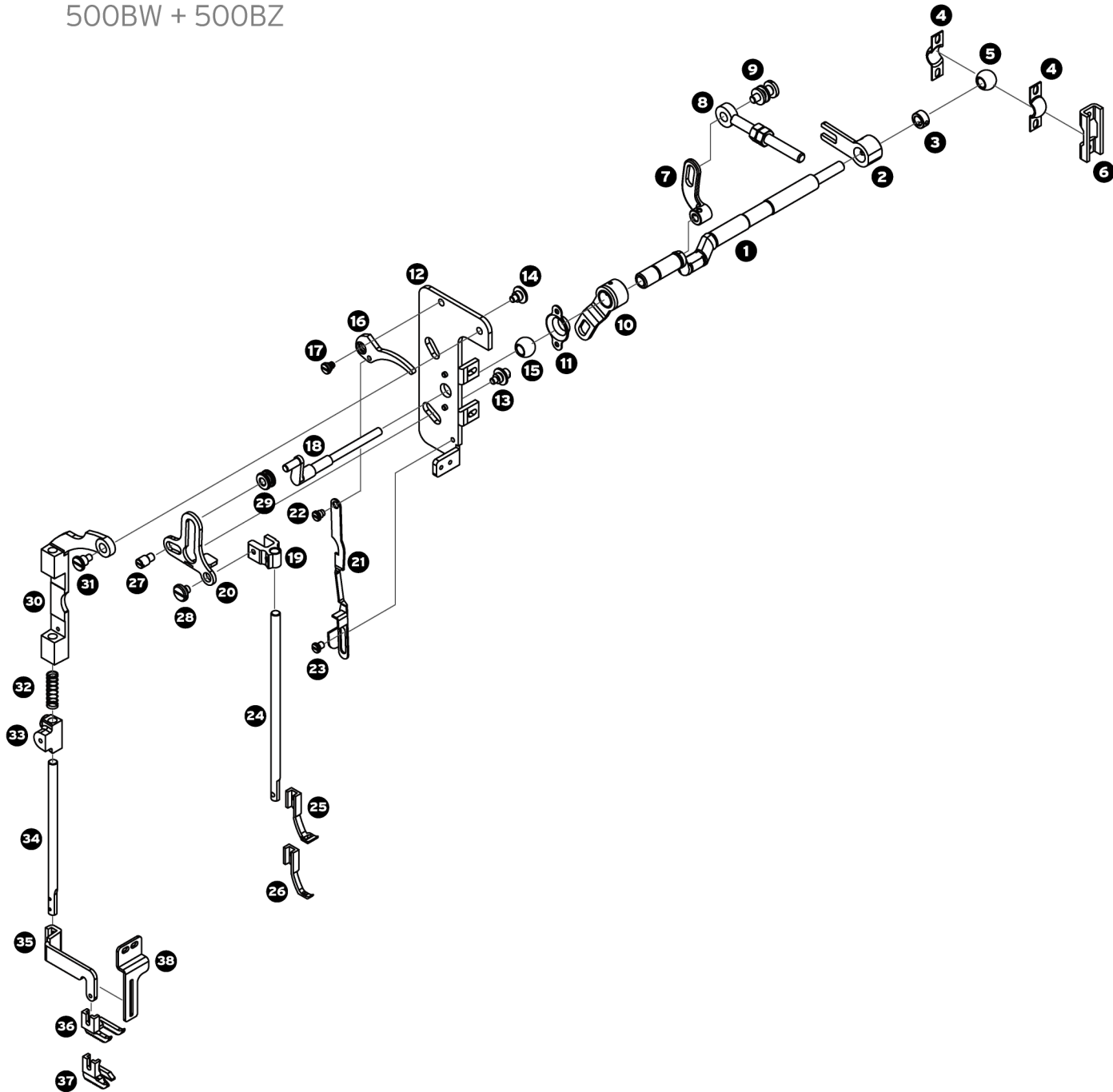
## Group 4

Key No.	Part Number	Part Name	Quantity
1.	7G4-1	FORKED ROD	1
2.	7G4-2	DRIVING CRANK	1
3.	7G4-3	FEED CONNECTION SLIDE BLOCK STUD	1
4.	7G4-4	FEED CONNECTION SLIDE BLOCK	1
5.	7G2-29	CRANK ROD ROCKER	1
6.	7G4-6	GUIDE SCREW	1
7.	7G4-7	OSCILLATING SHAFT	1
8.	7G4-8	OSCILLATION SHAFT SET SCREW AND NUT	8
9.	7G4-9	DRIVING CRANK GUIDE SCREW	1
10.	7G3-5	OSCILLATING SHAFT CRANK WITH SLIDE BLOCK	1
11.	7G4-11	FEED LIFTING ROCK SHAFT CRANK	1
12.	7G4-12	FEED ROCK SHAFT CRANK	1
13.	7G4-13	FEED ROCK SHAFT	1
14.	7G4-14	FEED BAR	1
15.	57WAKNURLED	KNURLED FEED DOG	1
16.	57BWFD	STANDARD STRAIGHT STITCH FEED DOG	1
17.	7G4-17	FEED DOG SCREW	2

# GROUP 5 - DRIVING AND REVERSING MECHANISM GROUP

Command  
700BW + 700BZ

Fit  
500BW + 500BZ



## Group 5

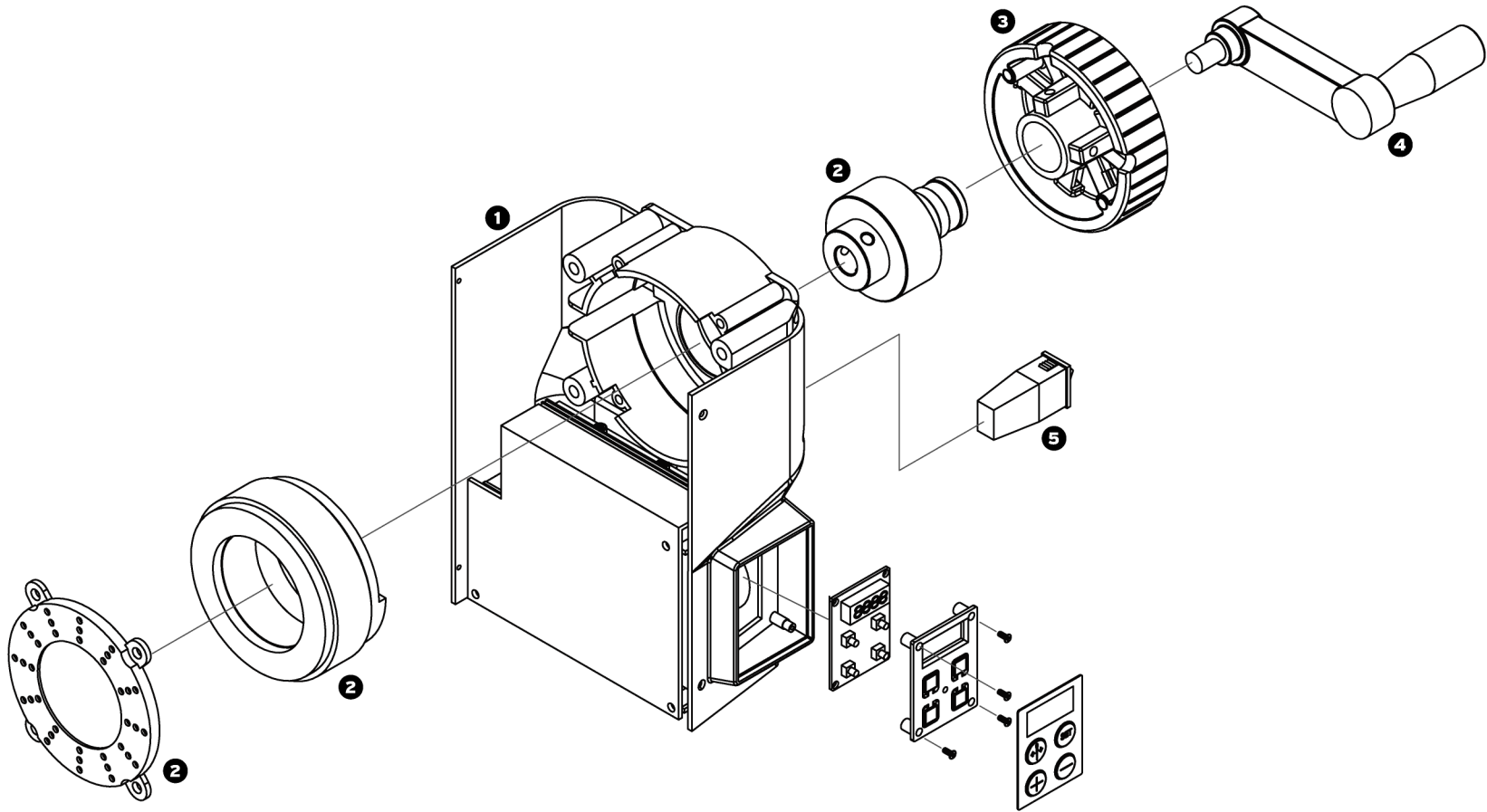
Key No.	Part Number	Part Name	Quantity
1.	7G2-26	CRANK ROD	1
2.	7G2-29	CRANK ROD ROCKER	1
3.	7G2-30	ROCKER END SET RING	1
4.	7G2-31	LIFT CRANK ROD BEARING BRACKET PLATE	2
5.	7G2-32	BEARING BRACKET BUSHING	1
6.	7G2-33	CRANK ROCK BEARING SET BASE	1
7.	7G2-28	PRESSER BAR ACTUATOR UP-DOWN ROCKER	1
8.	7G2-5	CRANK ROD LEVER CAM SCREW	1
9.	7G2-6	CRANK ROD ROCKET SCREW ASSEMBLY	1
10.	7G2-37	PRESSER BAR ACTUATOR FEED ROCKER	1
11.	7G2-40	END PLATE BEARING SET PLATE	1
12.	7G2-34	END PLATE	1
13.	7G2-38	PRESSER BAR TRACK FEED STUD	1
14.	7G2-49	HINGE SET SCREW	1
15.	7G2-32	BEARING BRACKET BUSHING	1
16.	7G2-47	PRESSER BAR LIFTER	1
17.	7G2-48	PRESSER BAR LIFTER HINGE SCREW	1
18.	7G2-27	PRESSER BAR FEED ROD	1
19.	7G2-46	PRESSER BAR BRACKET	1

<b>Key No.</b>	<b>Part Number</b>	<b>Part Name</b>	<b>Quantity</b>
20.	7G2-43	PRESSER BAR ACTUATOR	1
21.	7G2-36	LIFT BAR	1
22.	7G2-51	UPPER LIFT BAR SCREW	1
23.	7G2-52	LIFT BAR GUIDE SCREW	1
24.	7G2-60	PRESSER BAR	1
25.	7G2-61A	STRAIGHT STITCH INSIDE PRESSER FOOT	1
26.	7G2-62A	STRAIGHT STITCH INSIDE WELTING FOOT	1
27.	7G2-45	PRESSER BAR ACTUATOR FEED SCREW	1
28.	7G2-44	PRESSER BAR ACTUATOR PIVOT SCREW	1
29.	7G2-42	PRESSER BAR ACTUATOR SPACER	1
30.	7G2-35	PRESSER BAR TRACK	1
31.	7G2-50	PRESSER BAR TRACK HINGE SCREW	1
32.	7G2-53	PRESSER BAR LOAD SPRING (REAR)	1
33.	7G2-54	REAR PRESSER BAR BRACKET	1
34.	7G2-55	REAR PRESSER BAR	1
35.	7G2-56	OUTSIDE PRESSER FOOT BRACKET	1
36.	7G2-57A	STRAIGHT STITCH OUTSIDE PRESSER FOOT	1
37.	7G2-58A	SMOOTH INSIDE WELTING FOOT	1
38.	7G2-59	SMOOTH OUTSIDE WELTING FOOT	1

GROUP 6 - ELECTRIC POWER AND DYNAMIC TRANSMISSION

Command

700BW + 700BZ



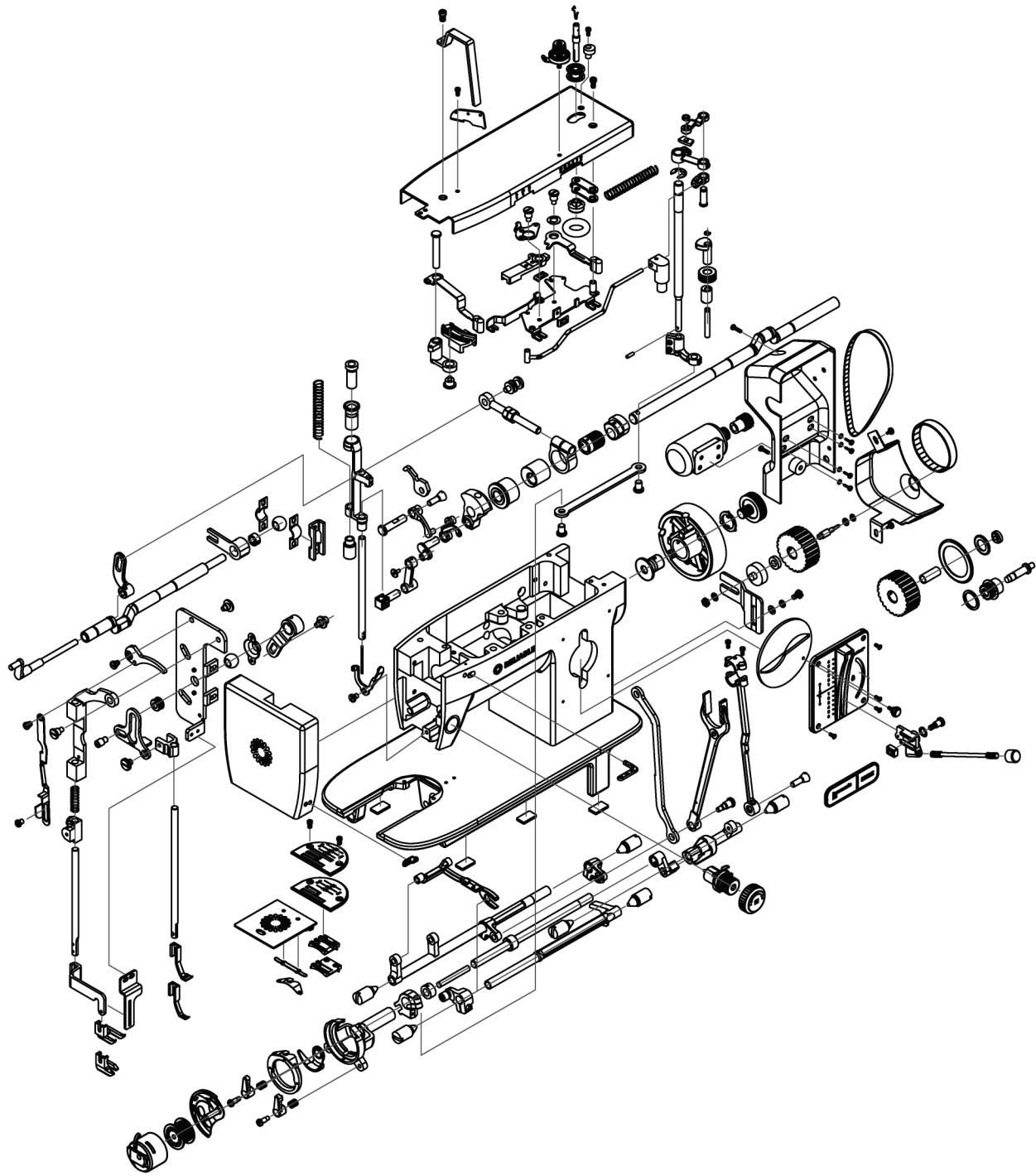
# Group 6

Key No.	Part Number	Part Name	Quantity
1.	7G1-16	ELECTRONIC CONTROL BOX ASSEMBLY	1
2.	7G6-2	MOTOR	1
3.	7G1-17	HAND WHEEL	1
4.	7ACRANK	HAND CRANK	1
5.	7G1-19	ON/OFF SWITCH	1
6.	7G1-20	DIGITAL CONTROL PANEL	1

# 500BZ Parts

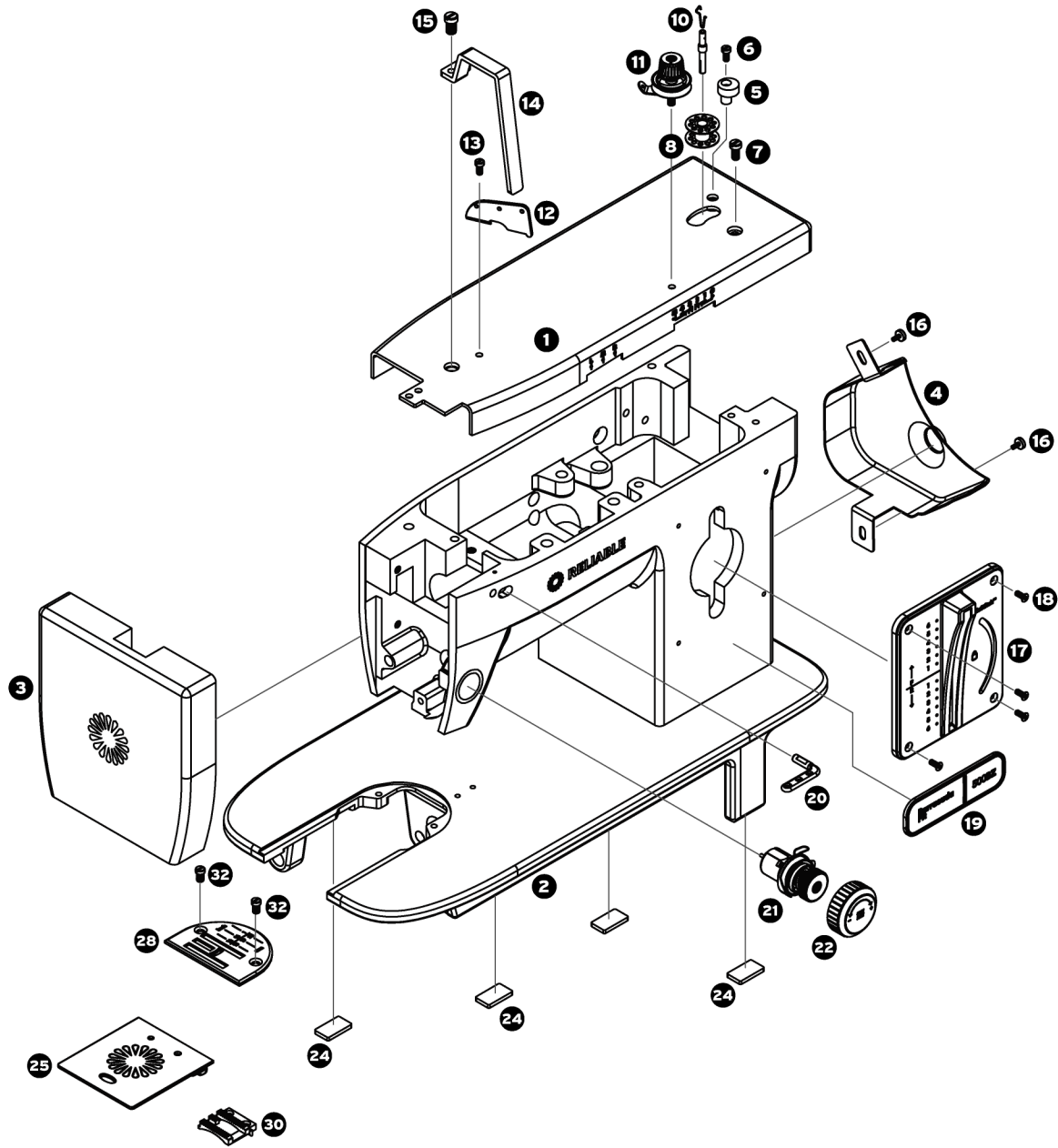


CONSTRUCTIONAL  
Fit  
500BZ



# GROUP 1 CONSTRUCTION EXTERNAL GROUP

Fit  
500BZ



# 500BZ Group 1

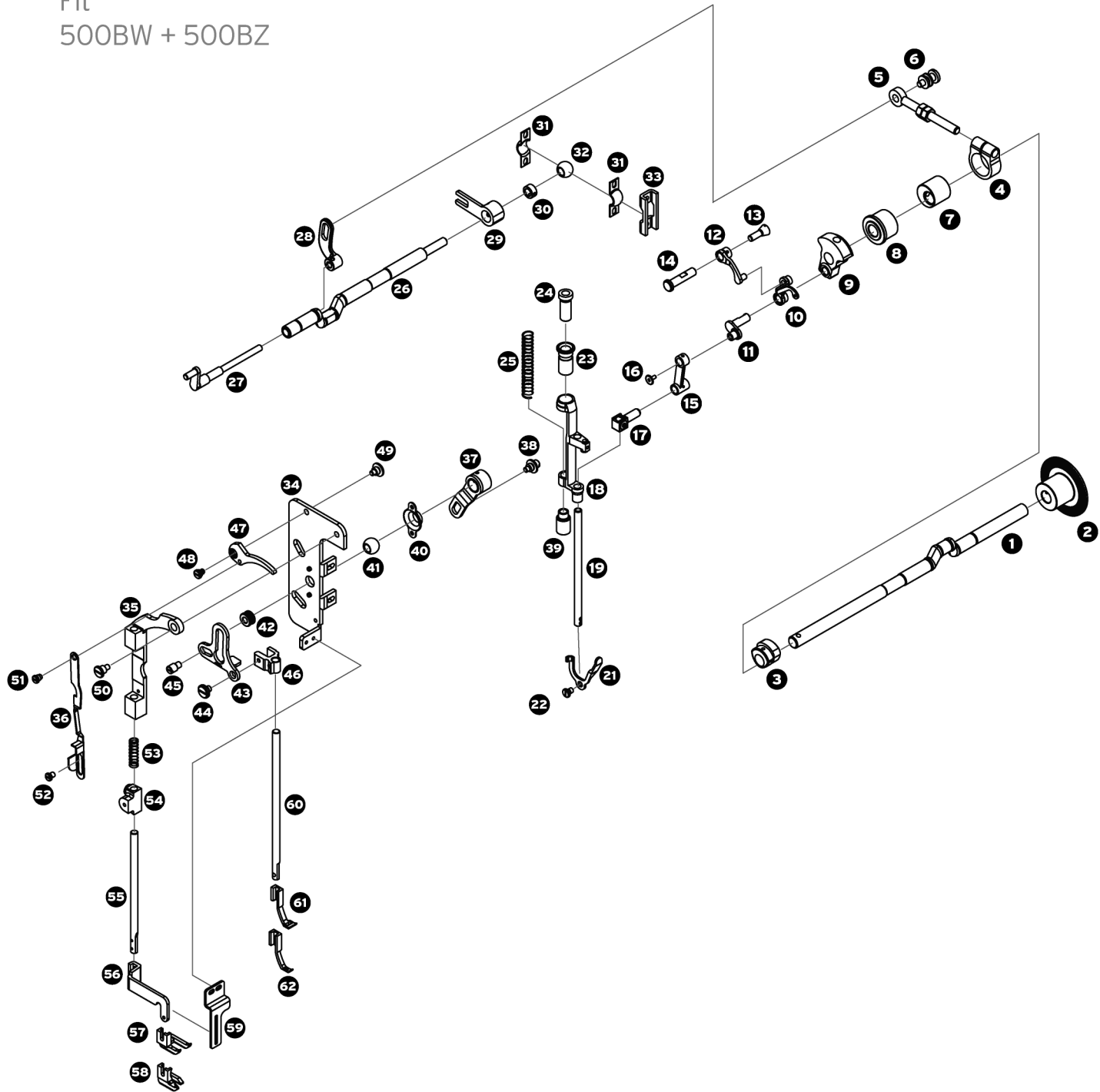
Key No.	Part Number	Part Name	Quantity
1.	5G1-1	TOP PLATE	1
2.	5G1-2	BED	1
3.	5G1-3	FACE PLATE	1
4.	5G1-4	BACK PLATE	1
5.	7G1-5	BOBBIN WINDER STOPPER	1
6.	7G1-6	BOBBIN WINDER STOPPER SET SCREW	1
7.	7G1-7	TOP PLATE SET SCREW	1
8.	57ABOBBIN	BOBBIN	1
10.	7G1-10	BOBBIN WINDER POST	1
11.	7G1-11	BOBBIN WINDER TENSION ASSEMBLY	1
12.	7G1-12	DETANGLER	1
13.	7G1-13	DETANGLER SET SCREW	1
14.	7G1-14	THREAD TAKE-UP LEVER COVER	1
15.	7G1-15	TOP PLATE SET SCREW	1
16.	5G1-16	BELT COVER SET SCREW	2
17.	7G1-21	STITCH LENGTH PLATE	1
18.	7G1-22	STITCH LENGTH PLATE SET SCREWS	4
19.	5G1-BZ	PLATE	1
20.	7G1-36	THREAD RETAINER	1

<b>Key No.</b>	<b>Part Number</b>	<b>Part Name</b>	<b>Quantity</b>
21.	7G1-24	TENSION ASSEMBLY	1
22.	7G1-25	TENSION ASSEMBLY KNOB	4
24.	7G1-26	FOOT PADS	3
25.	7G1-28B	SHUTTLE RACE SLIDE	1
28.	7G1-31	NEEDLE PLATE	1
30.	57BZFEEDDOG	STANDARD ZIG-ZAG FEED DOG	1
32.	7G1-35	NEEDLE PLATE SET SCREW	2

# GROUP 2 - SEWING TRANSMISSION GROUP

Command  
700BW + 700BZ

Fit  
500BW + 500BZ



## Group 2

Key No.	Part Number	Part Name	Quantity
1.	7G2-1	ARM SHAFT	1
3.	7G2-3	FEED CAM	1
4.	7G2-4	CRANK ROD LEVER CAM FOLLOWER	1
5.	7G2-5	CRANK ROD LEVER CAM SCREW	1
6.	7G2-6	CRANK ROD ROCKET SCREW ASSEMBLY	1
7.	7G2-7	PRESSER BAR ACTUATOR "CAM"	1
8.	7G2-8	ARM SHAFT BUSHING	1
9.	7G2-9	THREAD TAKE-UP LEVER CAM	1
10.	7G2-10	THREAD TAKE-UP LEVER UNIT	1
11.	7G2-11	THREAD TAKE-UP CRANK	1
12.	7G2-12	CONNECTING ROD	1
13.	7G2-13	CONNECTING ROD SET SCREW	1
14.	7G2-14	CONNECTING ROD PIN	1
15.	7G2-15	NEEDLE BAR CONNECTING ROD	1
16.	7G2-16	NEEDLE BAR CONNECTING ROD SET SCREW	1
17.	7G2-17	NEEDLE BAR CONNECTING STUD	1
18.	7G2-18	NEEDLE BAR SUPPORT	1
19.	7G2-19	NEEDLE BAR	1

<b>Key No.</b>	<b>Part Number</b>	<b>Part Name</b>	<b>Quantity</b>
21.	7G2-21	TENSION RELEASE LEVER	1
22.	7G2-22	TENSION RELEASE LEVER SET SCREW	1
23.	7G2-23	PRESSER REGULATING THUMB SET SCREW	1
24.	7G2-24	PRESSER REGULATING THUMB SCREW	1
25.	7G2-25	PRESSER BAR SPRING	1
26.	7G2-26	CRANK ROD	1
27.	7G2-27	PRESSER BAR FEED ROD	1
28.	7G2-28	PRESSER BAR ACTUATOR UP-DOWN ROCKER	1
29.	7G2-29	CRANK ROD ROCKER	1
30.	7G2-30	ROCKER END SET RING	1
31.	7G2-31	LIFT CRANK ROD BEARING BRACKET PLATE	2
32.	7G2-32	BEARING BRACKET BUSHING	1
33.	7G2-33	CRANK ROCK BEARING SET BASE	1
34.	7G2-34	END PLATE	1
35.	7G2-35	PRESSER BAR TRACK	1
36.	7G2-36	LIFT BAR	1
37.	7G2-37	PRESSER BAR ACTUATOR FEED ROCKER	1
38.	7G2-38	PRESSER BAR TRACK FEED STUD	1
39.	7G2-39	PRESSER BAR LOWER BUSHING	1

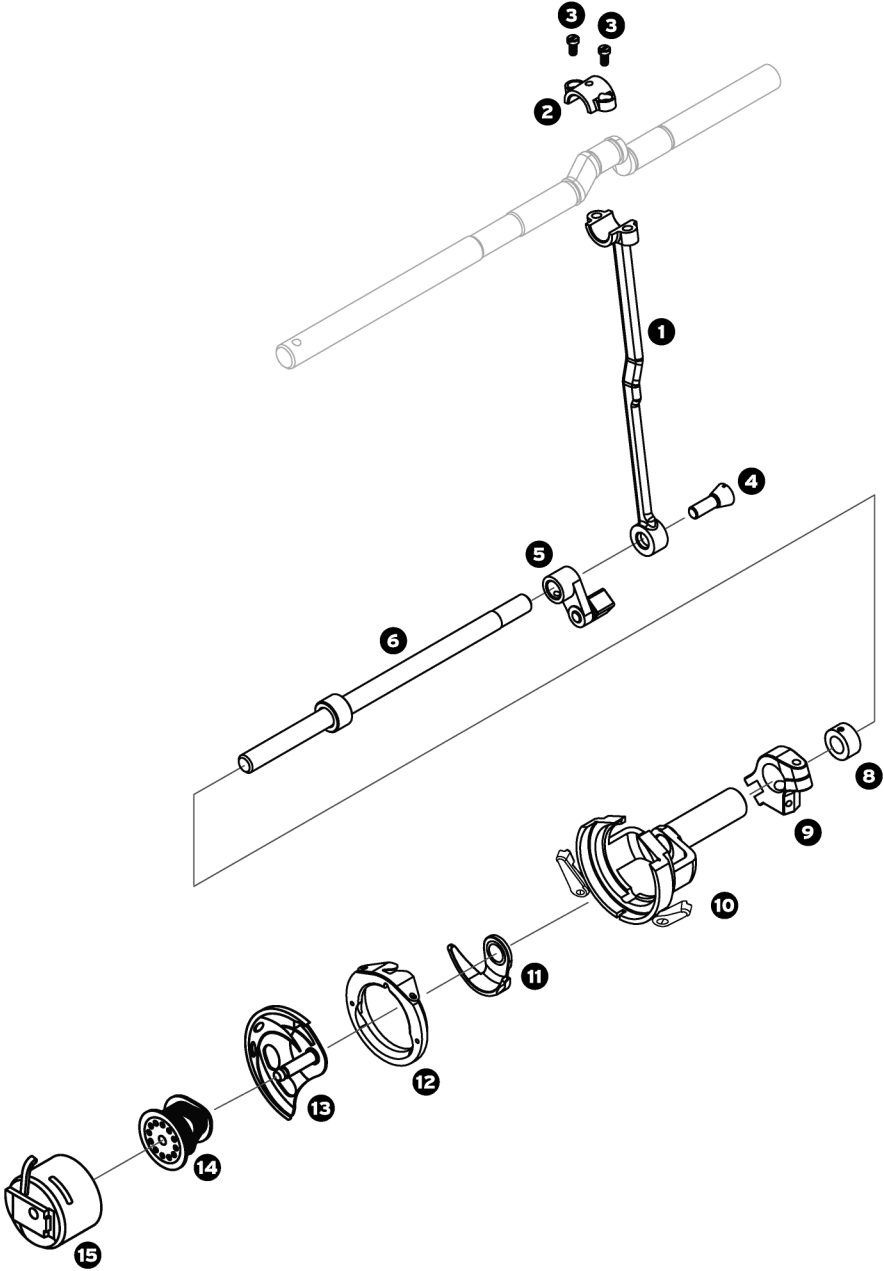
<b>Key No.</b>	<b>Part Number</b>	<b>Part Name</b>	<b>Quantity</b>
40.	7G2-40	END PLATE BEARING SET PLATE	1
41.	7G2-41	BEARING BRACKET BUSHING	1
42.	7G2-42	PRESSER BAR ACTUATOR SPACER	1
43.	7G2-43	PRESSER BAR ACTUATOR	1
44.	7G2-44	PRESSER BAR ACTUATOR PIVOT SCREW	1
45.	7G2-45	PRESSER BAR ACTUATOR FEED SCREW	1
46.	7G2-46	PRESSER BAR BRACKET	1
47.	7G2-47	PRESSER BAR LIFTER	1
48.	7G2-48	PRESSER BAR LIFTER HINGE SCREW	1
49.	7G2-49	HINGE SET SCREW	1
50.	7G2-50	PRESSER BAR TRACK HINGE SCREW	1
51.	7G2-51	UPPER LIFT BAR SCREW	1
52.	7G2-52	LIFT BAR GUIDE SCREW	1
53.	7G2-53	PRESSER BAR LOAD SPRING (REAR)	1
54.	7G2-54	REAR PRESSER BAR BRACKET	1
55.	7G2-55	REAR PRESSER BAR	1
56.	7G2-56	OUTSIDE PRESSER FOOT BRACKET	1
57.	7G2-57	OUTSIDE PRESSER FOOT	1
58.	7G2-58	WELTING FOOT OUTSIDE PRESSER FOOT	1
59.	7G2-59	OUTSIDE PRESSER FOOT BRACKET LIMITER	1

<b>Key No.</b>	<b>Part Number</b>	<b>Part Name</b>	<b>Quantity</b>
60.	7G2-60	PRESSER BAR	1
61.	7G2-61	INSIDE PRESSER FOOT	1
62.	7G2-62	INSIDE WELTING FOOT	1

GROUP 3 - SHUTTLE TRANSMISSION GROUP

Command  
700BW + 700BZ

Fit  
500BW + 500BZ



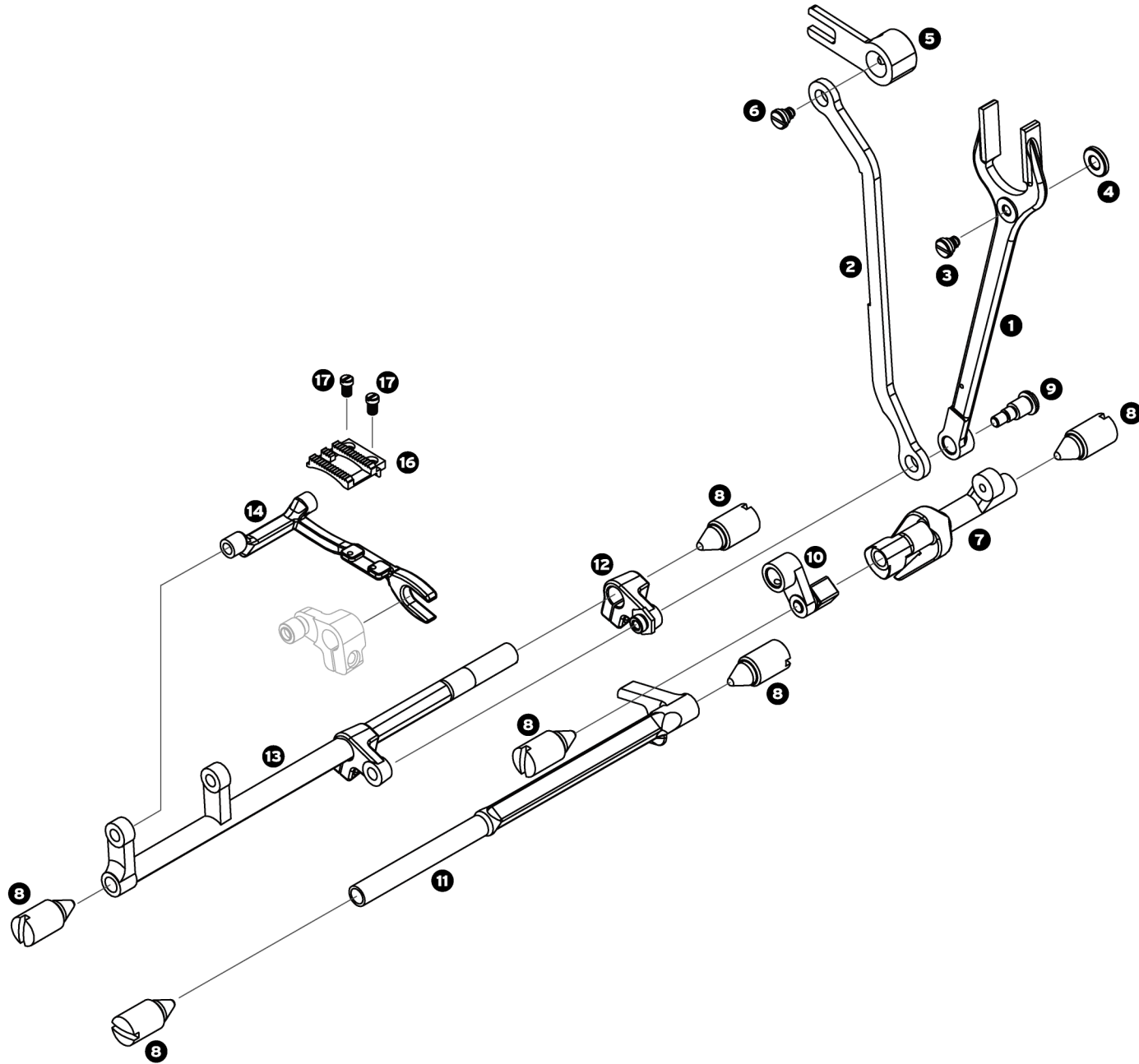
## Group 3

Key No.	Part Number	Part Name	Quantity
1.	7G3-1	CRANK CONNECTING ROD	1
2.	7G3-2	CRANK CONNECTING ROD CAP	1
3.	7G3-3	CRANK CONNECTING ROD CAP SET SCREW	2
4.	7G3-4	CRANK CONNECTING ROD SET SCREW	1
5.	7G3-5	OSCILLATING SHAFT CRANK WITH SLIDE BLOCK	1
6.	7G3-6	LOWER SHAFT	1
8.	7G3-8	LOWER SHAFT COLLAR	2
9.	7G3-9	SHUTTLE RACE GUIDE	1
10.	7G3-10	SHUTTLE RACE GUIDE SHAFT	1
11.	7G3-11	SHUTTLE DRIVER	1
12.	7G3-12	RETAINING RING WITH CAP SPRING	1
13.	7G3-13	SHUTTLE HOOK	1
14.	57ABOBBIN	BOBBIN	1
15.	RELD100	BOBBIN CASE	1

# GROUP 4 - FEED TRANSMISSION GROUP

Command  
700BW + 700BZ

Fit  
500BW + 500BZ



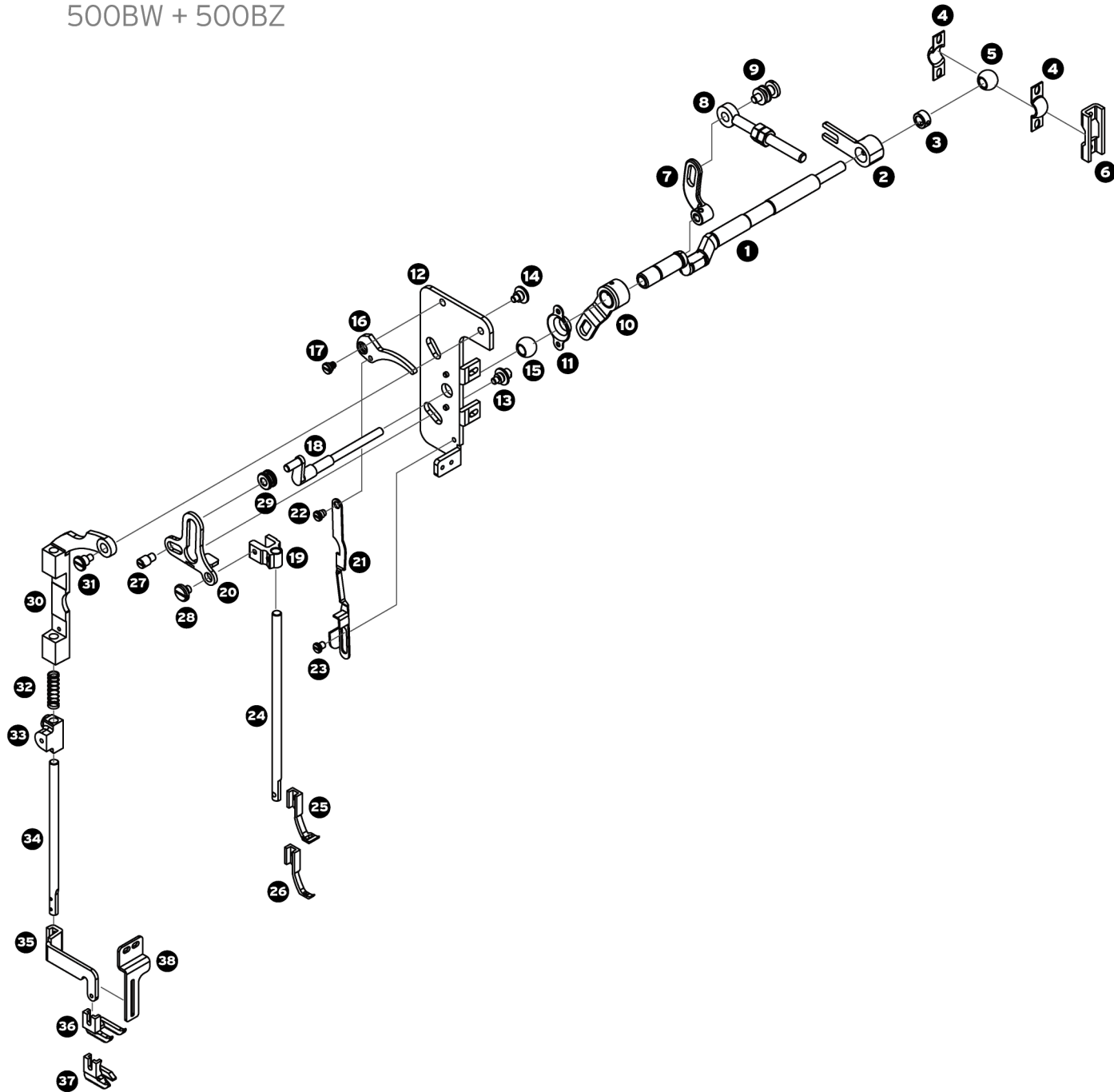
## Group 4

Key No.	Part Number	Part Name	Quantity
1.	7G4-1	FORKED ROD	1
2.	7G4-2	DRIVING CRANK	1
3.	7G4-3	FEED CONNECTION SLIDE BLOCK STUD	1
4.	7G4-4	FEED CONNECTION SLIDE BLOCK	1
5.	7G2-29	CRANK ROD ROCKER	1
6.	7G4-6	GUIDE SCREW	1
7.	7G4-7	OSCILLATING SHAFT	1
8.	7G4-8	OSCILLATION SHAFT SET SCREW AND NUT	8
9.	7G4-9	DRIVING CRANK GUIDE SCREW	1
10.	7G3-5	OSCILLATING SHAFT CRANK WITH SLIDE BLOCK	1
11.	7G4-11	FEED LIFTING ROCK SHAFT CRANK	1
12.	7G4-12	FEED ROCK SHAFT CRANK	1
13.	7G4-13	FEED ROCK SHAFT	1
14.	7G4-14	FEED BAR	1
16.	57BZFEEDDOG	STANDARD ZIG-ZAG FEED DOG	1
17.	7G4-17	FEED DOG SCREW	2

# GROUP 5 - DRIVING AND REVERSING MECHANISM GROUP

Command  
700BW + 700BZ

Fit  
500BW + 500BZ



## Group 5

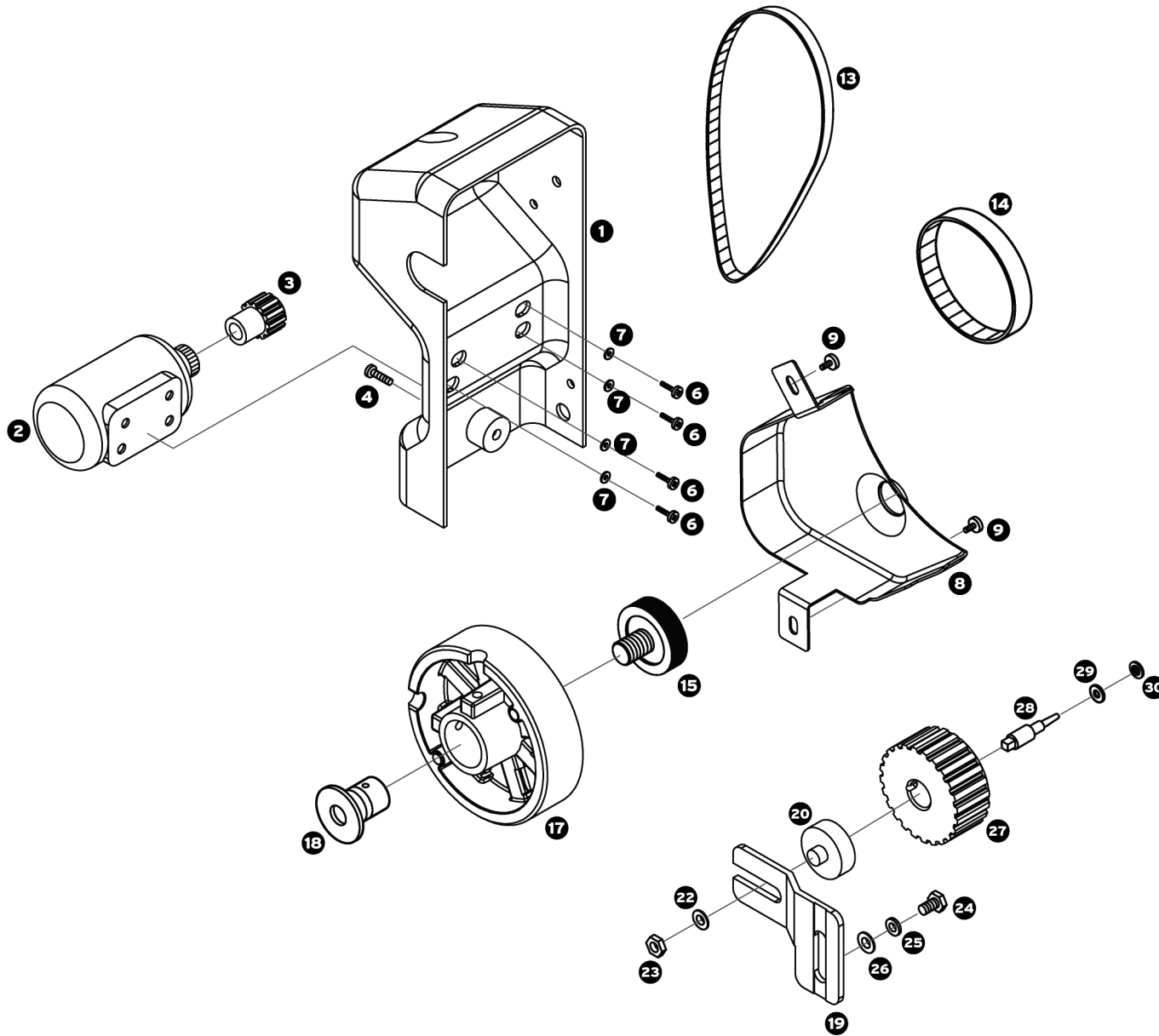
Key No.	Part Number	Part Name	Quantity
1.	7G2-26	CRANK ROD	1
2.	7G2-29	CRANK ROD ROCKER	1
3.	7G2-30	ROCKER END SET RING	1
4.	7G2-31	LIFT CRANK ROD BEARING BRACKET PLATE	2
5.	7G2-32	BEARING BRACKET BUSHING	1
6.	7G2-33	CRANK ROCK BEARING SET BASE	1
7.	7G2-28	PRESSER BAR ACTUATOR UP-DOWN ROCKER	1
8.	7G2-5	CRANK ROD LEVER CAM SCREW	1
9.	7G2-6	CRANK ROD ROCKET SCREW ASSEMBLY	1
10.	7G2-37	PRESSER BAR ACTUATOR FEED ROCKER	1
11.	7G2-40	END PLATE BEARING SET PLATE	1
12.	7G2-34	END PLATE	1
13.	7G2-38	PRESSER BAR TRACK FEED STUD	1
14.	7G2-49	HINGE SET SCREW	1
15.	7G2-32	BEARING BRACKET BUSHING	1
16.	7G2-47	PRESSER BAR LIFTER	1
17.	7G2-48	PRESSER BAR LIFTER HINGE SCREW	1
18.	7G2-27	PRESSER BAR FEED ROD	1
19.	7G2-46	PRESSER BAR BRACKET	1

<b>Key No.</b>	<b>Part Number</b>	<b>Part Name</b>	<b>Quantity</b>
20.	7G2-43	PRESSER BAR ACTUATOR	1
21.	7G2-36	LIFT BAR	1
22.	7G2-51	UPPER LIFT BAR SCREW	1
23.	7G2-52	LIFT BAR GUIDE SCREW	1
24.	7G2-60	PRESSER BAR	1
25.	7G2-61	INSIDE PRESSER FOOT	1
26.	7G2-62	INSIDE WELTING FOOT	1
27.	7G2-45	PRESSER BAR ACTUATOR FEED SCREW	1
28.	7G2-44	PRESSER BAR ACTUATOR PIVOT SCREW	1
29.	7G2-42	PRESSER BAR ACTUATOR SPACER	1
30.	7G2-35	PRESSER BAR TRACK	1
31.	7G2-50	PRESSER BAR TRACK HINGE SCREW	1
32.	7G2-53	PRESSER BAR LOAD SPRING (REAR)	1
33.	7G2-54	REAR PRESSER BAR BRACKET	1
34.	7G2-55	REAR PRESSER BAR	1
35.	7G2-56	OUTSIDE PRESSER FOOT BRACKET	1
36.	7G2-57	OUTSIDE PRESSER FOOT	1
37.	7G2-58	SMOOTH INSIDE WELTING FOOT	1
38.	7G2-59	OUTSIDE PRESSER FOOT ELIMINATOR	1

# GROUP 6 - ELECTRIC POWER AND DYNAMIC TRANSMISSION

Fit

500BW + 500BZ



## Group 6

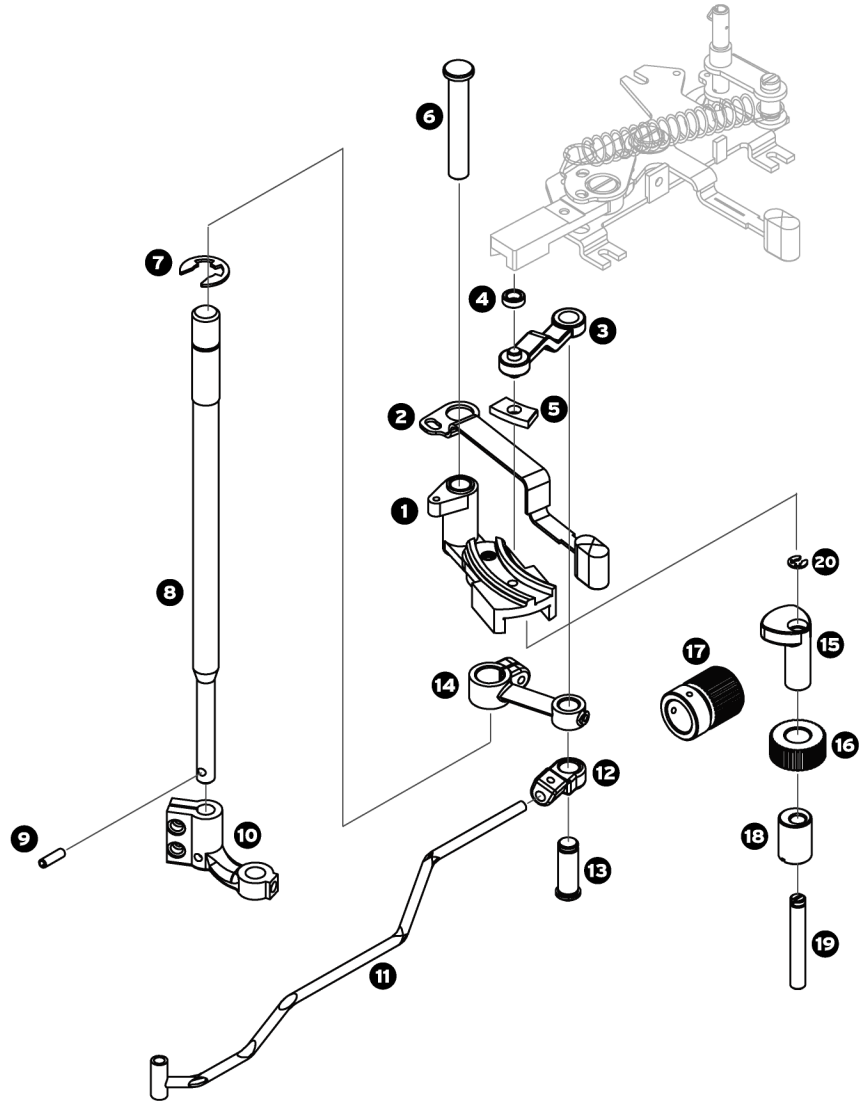
Key No.	Part Number	Part Name	Quantity
1.	5G5-1	MOTOR BASE (REAR COVER)	1
2.	5G5-2	MOTOR	1
3.	5G5-3	MOTOR PULLEY	1
4.	5G5-4	MOTOR BASE SET SCREW	2
6.	5G5-6	MOTOR SET SCREW	4
7.	5G5-7	MOTOR SET WASHER	5
8.	5G5-8	BELT COVER	1
9.	5G5-9	BELT COVER SET SCREW	2
13.	5G5-13	BELT (130XL0.18)	1
14.	5G5-14	BELT (80XL0.25)	1
15.	5G5-15	CLAMP SCREW	1
17.	5G5-17	HAND WHEEL	1
18.	5G5-18	HAND WHEEL BUSHING	1
19.	5G5-19	PULLEY BRACKET	1
20.	5G5-20	IDLE PULLEY BEARING	1
22.	5G5-22	IDLE PULLEY LOCK WASHER	1
23.	5G5-23	IDLE PULLEY SET NUT	1
24.	5G5-24	MOTOR BRACKET SET SCREW	1
25.	5G5-25	MOTOR CRACKET SET LOCK WASHER	1

<b>Key No.</b>	<b>Part Number</b>	<b>Part Name</b>	<b>Quantity</b>
26.	5G5-26	MOTOR BRACKET SET WASHER	1
27.	5G5-27	IDLE PULLEY	1
28.	5G5-28	IDLE PULLEY SHAFT	1
29.	5G5-29	IDLE PULLEY SHAFT WASHER	1
30.	5G5-30	E5 RING	1

# GROUP 7 - ZIG ZAG MECHANISM GROUP

Command  
700BZ

Fit  
500BZ



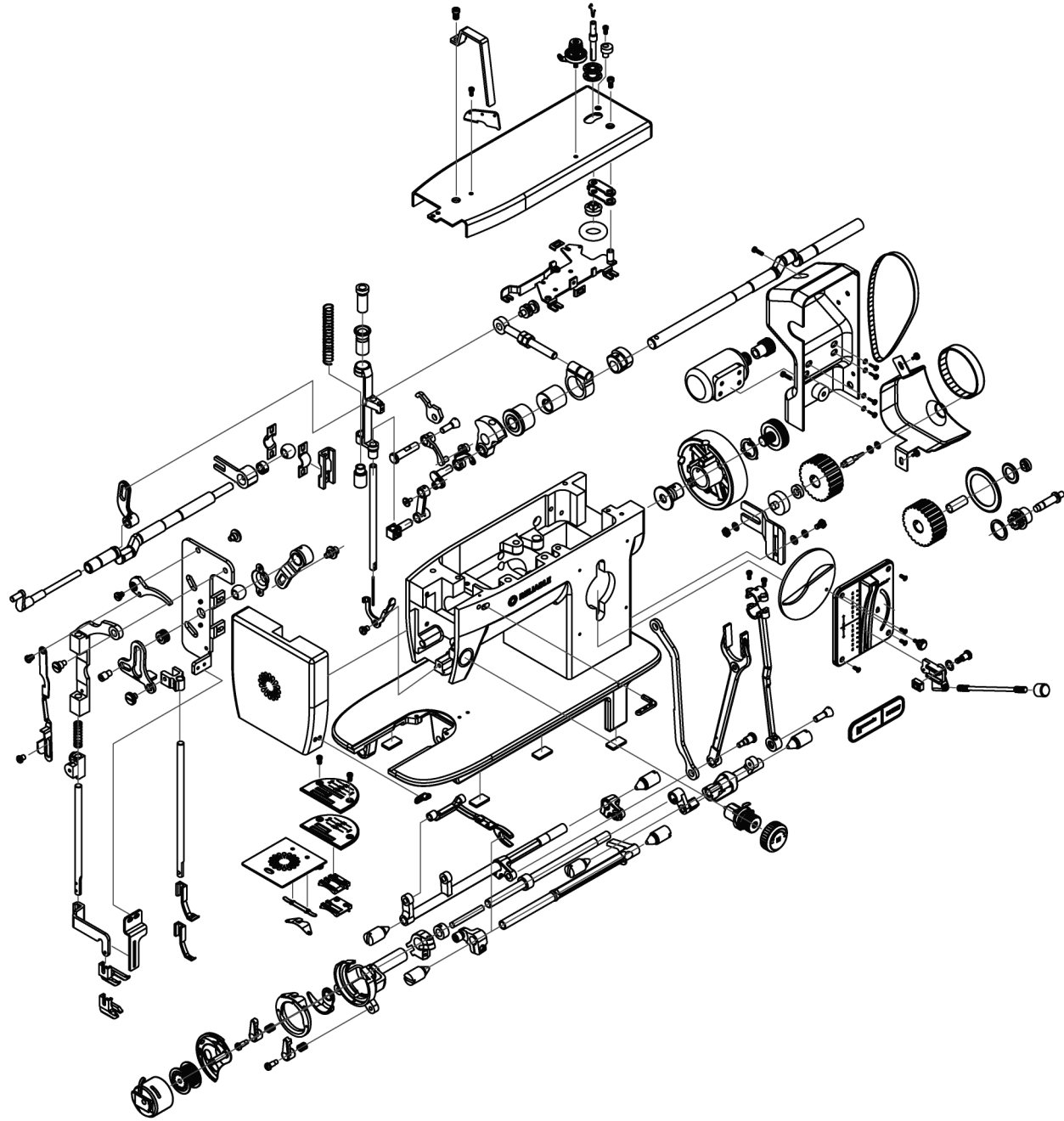
## Group 7

Key No.	Part Number	Part Name	Quantity
1.	7G7-1	NEEDLE DISPLACEMENT REGULATOR (ASSEMBLY)	1
2.	7G7-2	NEEDLE POSITION COMPLETE LEVER	1
3.	7G7-3	ZIG-ZAG CONNECTING LINK SLIDE BLOCK TOP	1
4.	7G7-4	COLLAR FOR ZIG-ZAG CONNECTING LINK	1
5.	7G7-5	BLOCK SLIDE	1
6.	7G7-6	NEEDLE POSITION PIN	1
7.	7G7-7	ZIG ZAG VERTICAL SHAFT E-CLIP	1
8.	7G7-8	ZIG ZAG VERTICAL SHAFT	1
9.	7G7-9	ZIG ZAG VERTICAL SHAFT PIN	1
10	7G7-10	ZIG ZAG VERTICAL SHAFT ARM	1
11.	7G7-11	ZIGZAG CONNECTING ROD	1
12.	7G7-11	ZIG-ZAG CONNECTING ROD SET BASE	1
13.	7G7-11	ZIG-ZAG CONNECTING ROD LEVER PIN	1
14.	7G7-14	ZIG-ZAG CONNECTING LINK SLIDE BLOCK BOTTOM	1
15.	7G7-15	ZIG-ZAG CAM	1
16.	7G7-16	ZIG-ZAG GEAR	1
17.	7G7-17	HELICAL GEAR	1
18.	7G7-18	ZIG-ZAG CAM BLOCK	1
19.	7G7-19	ZIG-ZAG CAM SHAFT	1

# 500BW Parts



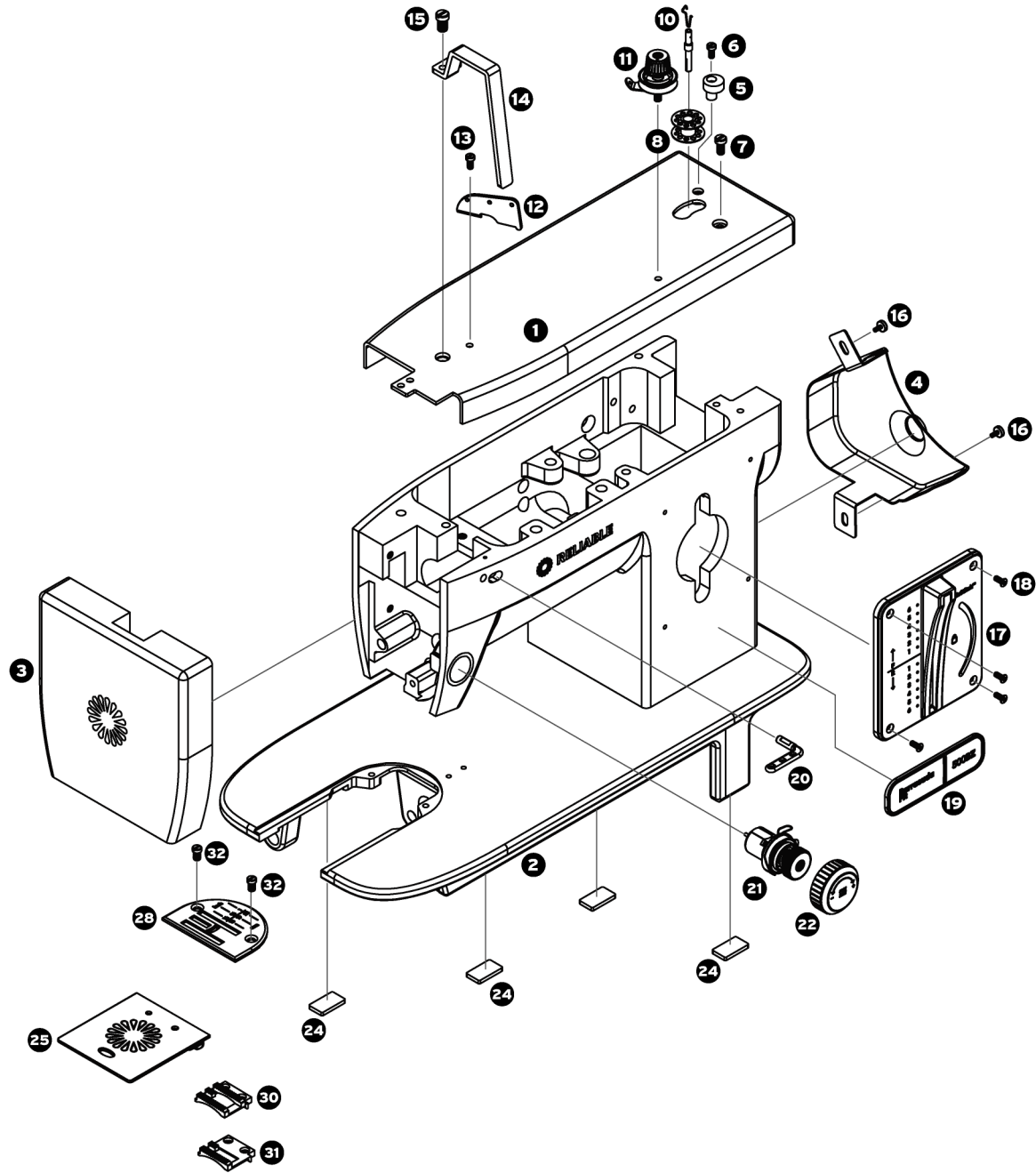
CONSTRUCTIONAL  
Fit  
500BW



# GROUP 1 CONSTRUCTION EXTERNAL GROUP

Fit

500BW



# 500BW Group 1

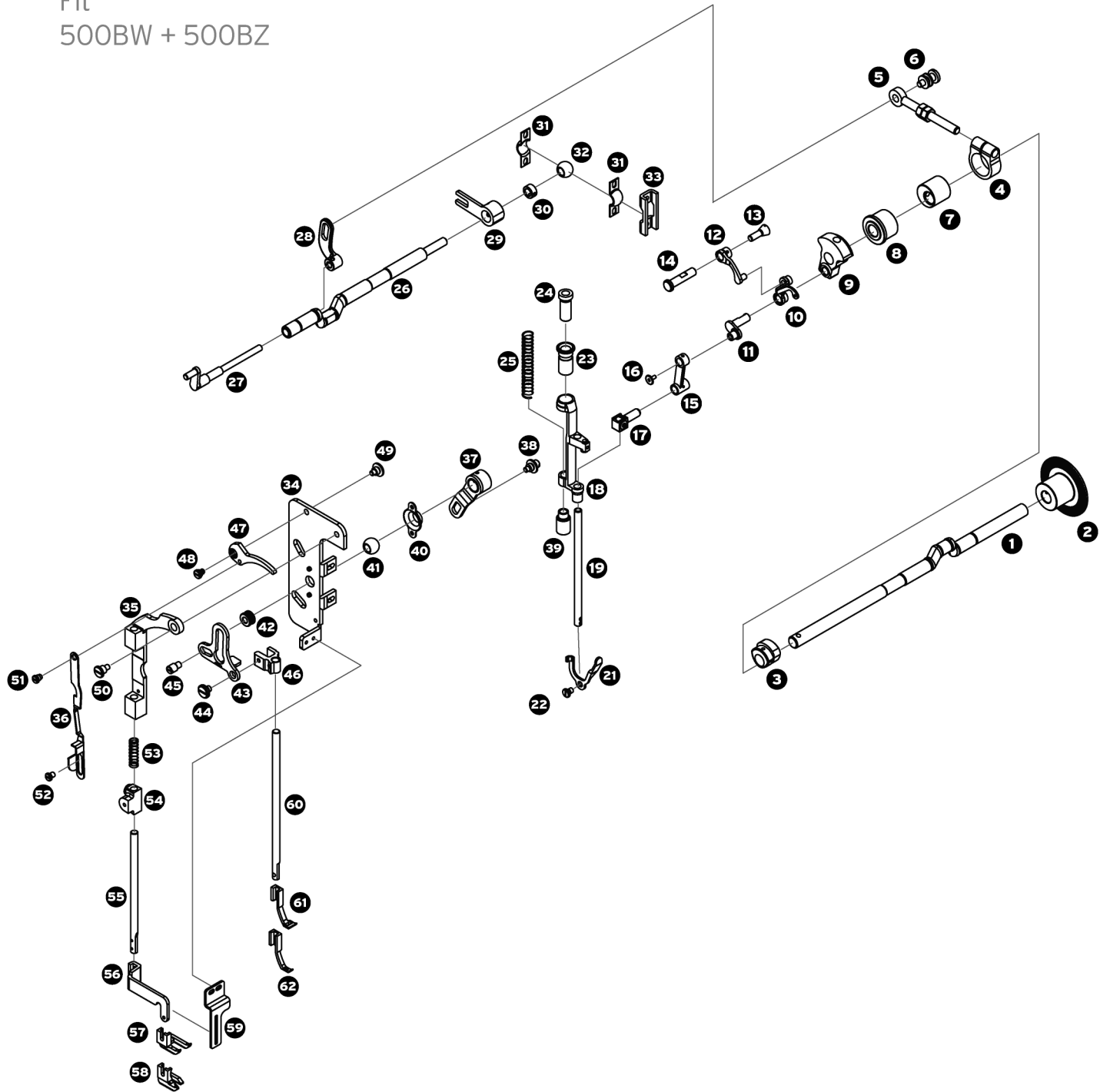
Key No.	Part Number	Part Name	Quantity
1.	5G1-1A	TOP PLATE	1
2.	5G1-2	BED	1
3.	5G1-3	FACE PLATE	1
4.	5G1-4	BELT COVER	1
5.	7G1-5	BOBBIN WINDER STOPPER	1
6.	7G1-6	BOBBIN WINDER STOPPER SET SCREW	1
7.	7G1-7	TOP PLATE SET SCREW	1
8.	57ABOBBIN	BOBBIN	1
10.	7G1-10	BOBBIN WINDER POST	1
11.	7G1-11	BOBBIN WINDER TENSION ASSEMBLY	1
12.	7G1-12	DETANGLER	1
13.	7G1-13	DETANGLER SET SCREW	1
14.	7G1-14	THREAD TAKE-UP LEVER COVER	1
15.	7G1-15	TOP PLATE SET SCREW	1
16.	5G1-16	BELT COVER SET SCREW	1
17.	7G1-21	STITCH LENGTH PLATE	1
18.	7G1-22	STITCH LENGTH PLATE SET SCREWS	1
19.	5G1-BW	PLATE	1
20.	7G1-36	THREAD RETAINER	1

<b>Key No.</b>	<b>Part Number</b>	<b>Part Name</b>	<b>Quantity</b>
21.	7G1-24	TENSION ASSEMBLY	1
22.	7G1-25	TENSION ASSEMBLY KNOB	4
24.	7G1-26	FOOT PADS	1
25.	7G1-28	SHUTTLE RACE SLIDE	1
28.	7G1-31A	STRAIGHT STITCH NEEDLE PLATE	1
29.	57BWFD	STRAIGHT STANDARD FEED DOG	1
30.	57WAKNURLED	KNURLED FEED DOG	1
31.	7G1-35	NEEDLE PLATE SET SCREW	1

# GROUP 2 - SEWING TRANSMISSION GROUP

Command  
700BW + 700BZ

Fit  
500BW + 500BZ



## Group 2

Key No.	Part Number	Part Name	Quantity
1.	7G2-1	ARM SHAFT	1
3.	7G2-3	FEED CAM	1
4.	7G2-4	CRANK ROD LEVER CAM FOLLOWER	1
5.	7G2-5	CRANK ROD LEVER CAM SCREW	1
6.	7G2-6	CRANK ROD ROCKET SCREW ASSEMBLY	1
7.	7G2-7	PRESSER BAR ACTUATOR "CAM"	1
8.	7G2-8	ARM SHAFT BUSHING	1
9.	7G2-9	THREAD TAKE-UP LEVER CAM	1
10.	7G2-10	THREAD TAKE-UP LEVER UNIT	1
11.	7G2-11	THREAD TAKE-UP CRANK	1
12.	7G2-12	CONNECTING ROD	1
13.	7G2-13	CONNECTING ROD SET SCREW	1
14.	7G2-14	CONNECTING ROD PIN	1
15.	7G2-15	NEEDLE BAR CONNECTING ROD	1
16.	7G2-16	NEEDLE BAR CONNECTING ROD SET SCREW	1
17.	7G2-17	NEEDLE BAR CONNECTING STUD	1
18.	7G2-18	NEEDLE BAR SUPPORT	1
19.	7G2-19	NEEDLE BAR	1

<b>Key No.</b>	<b>Part Number</b>	<b>Part Name</b>	<b>Quantity</b>
21.	7G2-21	TENSION RELEASE LEVER	1
22.	7G2-22	TENSION RELEASE LEVER SET SCREW	1
23.	7G2-23	PRESSER REGULATING THUMB SET SCREW	1
24.	7G2-24	PRESSER REGULATING THUMB SCREW	1
25.	7G2-25	PRESSER BAR SPRING	1
26.	7G2-26	CRANK ROD	1
27.	7G2-27	PRESSER BAR FEED ROD	1
28.	7G2-28	PRESSER BAR ACTUATOR UP-DOWN ROCKER	1
29.	7G2-29	CRANK ROD ROCKER	1
30.	7G2-30	ROCKER END SET RING	1
31.	7G2-31	LIFT CRANK ROD BEARING BRACKET PLATE	2
32.	7G2-32	BEARING BRACKET BUSHING	1
33.	7G2-33	CRANK ROCK BEARING SET BASE	1
34.	7G2-34	END PLATE	1
35.	7G2-35	PRESSER BAR TRACK	1
36.	7G2-36	LIFT BAR	1
37.	7G2-37	PRESSER BAR ACTUATOR FEED ROCKER	1
38.	7G2-38	PRESSER BAR TRACK FEED STUD	1
39.	7G2-39	PRESSER BAR LOWER BUSHING	1

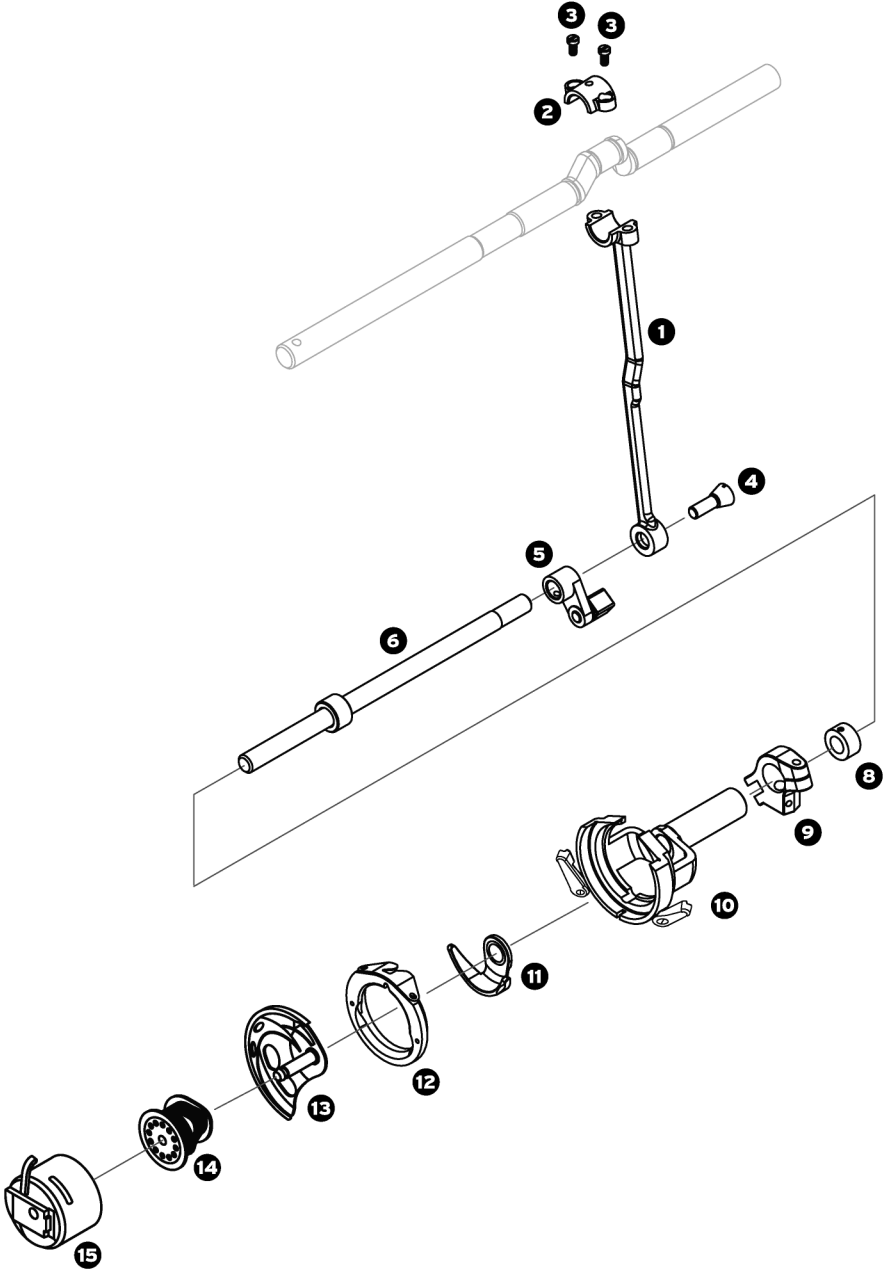
<b>Key No.</b>	<b>Part Number</b>	<b>Part Name</b>	<b>Quantity</b>
40.	7G2-40	END PLATE BEARING SET PLATE	1
41.	7G2-41	BEARING BRACKET BUSHING	1
42.	7G2-42	PRESSER BAR ACTUATOR SPACER	1
43.	7G2-43	PRESSER BAR ACTUATOR	1
44.	7G2-44	PRESSER BAR ACTUATOR PIVOT SCREW	1
45.	7G2-45	PRESSER BAR ACTUATOR FEED SCREW	1
46.	7G2-46	PRESSER BAR BRACKET	1
47.	7G2-47	PRESSER BAR LIFTER	1
48.	7G2-48	PRESSER BAR LIFTER HINGE SCREW	1
49.	7G2-49	HINGE SET SCREW	1
50.	7G2-50	PRESSER BAR TRACK HINGE SCREW	1
51.	7G2-51	UPPER LIFT BAR SCREW	1
52.	7G2-52	LIFT BAR GUIDE SCREW	1
53.	7G2-53	PRESSER BAR LOAD SPRING (REAR)	1
54.	7G2-54	REAR PRESSER BAR BRACKET	1
55.	7G2-55	REAR PRESSER BAR	1
56.	7G2-56	OUTSIDE PRESSER FOOT BRACKET	1
57.	7G2-57A	STRAIGHT STITCH OUTSIDE PRESSER FOOT	1
58.	7G2-58A	SMOOTH OUTSIDE PRESSER FOOT	1
59.	7G2-59	OUTSIDE PRESSER FOOT BRACKET LIMITER	1

<b>Key No.</b>	<b>Part Number</b>	<b>Part Name</b>	<b>Quantity</b>
60.	7G2-60	PRESSER BAR	1
61.	7G2-61A	STRAIGHT STITCH INSIDE PRESSER FOOT	1
62.	7G2-62A	SMOOTH INSIDE WELTING FOOT	1

GROUP 3 - SHUTTLE TRANSMISSION GROUP

Command  
700BW + 700BZ

Fit  
500BW + 500BZ



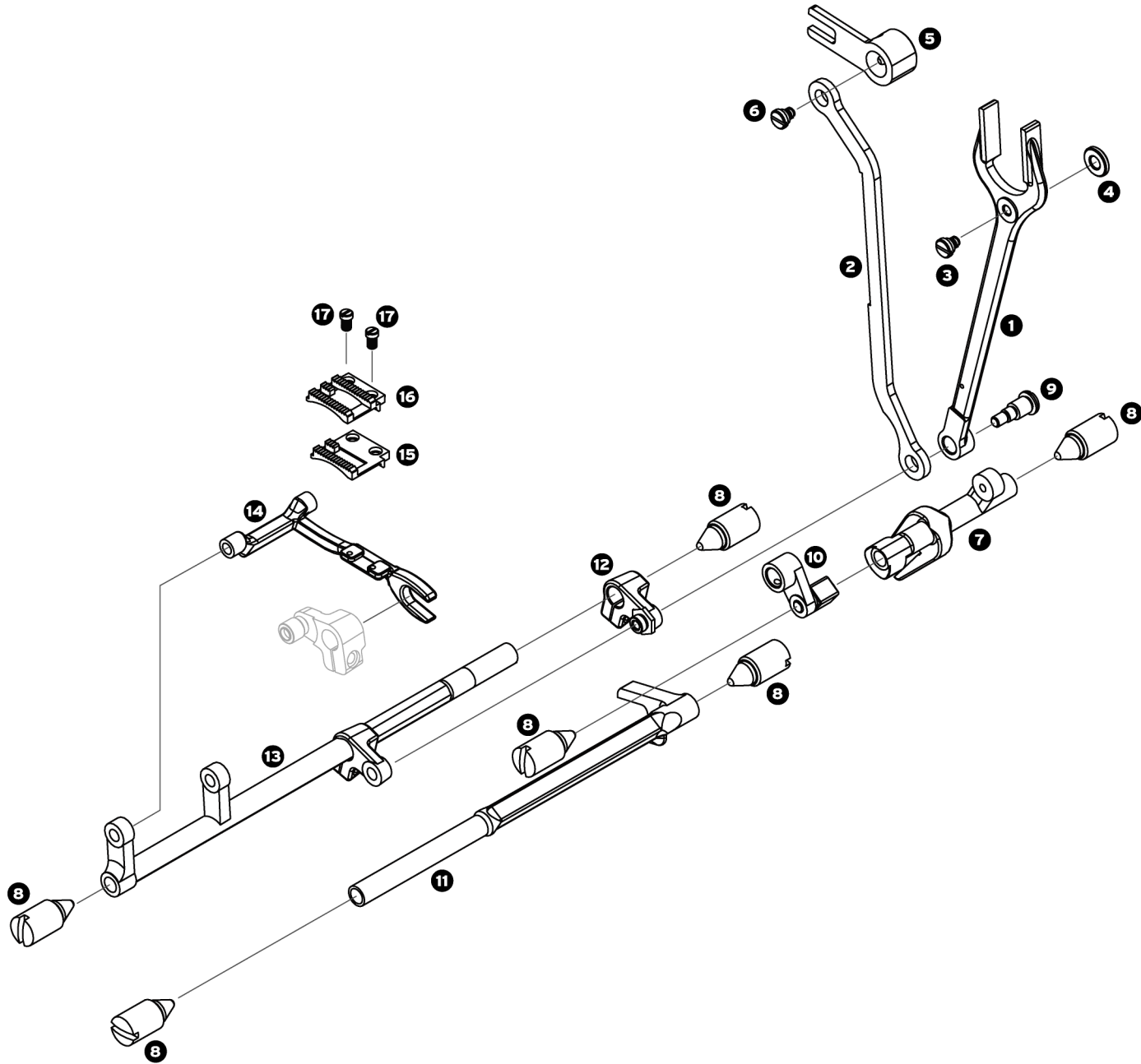
## Group 3

Key No.	Part Number	Part Name	Quantity
1.	7G3-1	CRANK CONNECTING ROD	1
2.	7G3-2	CRANK CONNECTING ROD CAP	1
3.	7G3-3	CRANK CONNECTING ROD CAP SET SCREW	2
4.	7G3-4	CRANK CONNECTING ROD SET SCREW	1
5.	7G3-5	OSCILLATING SHAFT CRANK WITH SLIDE BLOCK	1
6.	7G3-6	LOWER SHAFT	1
8.	7G3-8	LOWER SHAFT COLLAR	2
9.	7G3-9	SHUTTLE RACE GUIDE	1
10.	7G3-10	SHUTTLE RACE GUIDE SHAFT	1
11.	7G3-11	SHUTTLE DRIVER	1
12.	7G3-12	RETAINING RING WITH CAP SPRING	1
13.	7G3-13	SHUTTLE HOOK	1
14.	57ABOBBIN	BOBBIN	1
15.	RELD100	BOBBIN CASE	1

# GROUP 4 - FEED TRANSMISSION GROUP

Command  
700BW + 700BZ

Fit  
500BW + 500BZ



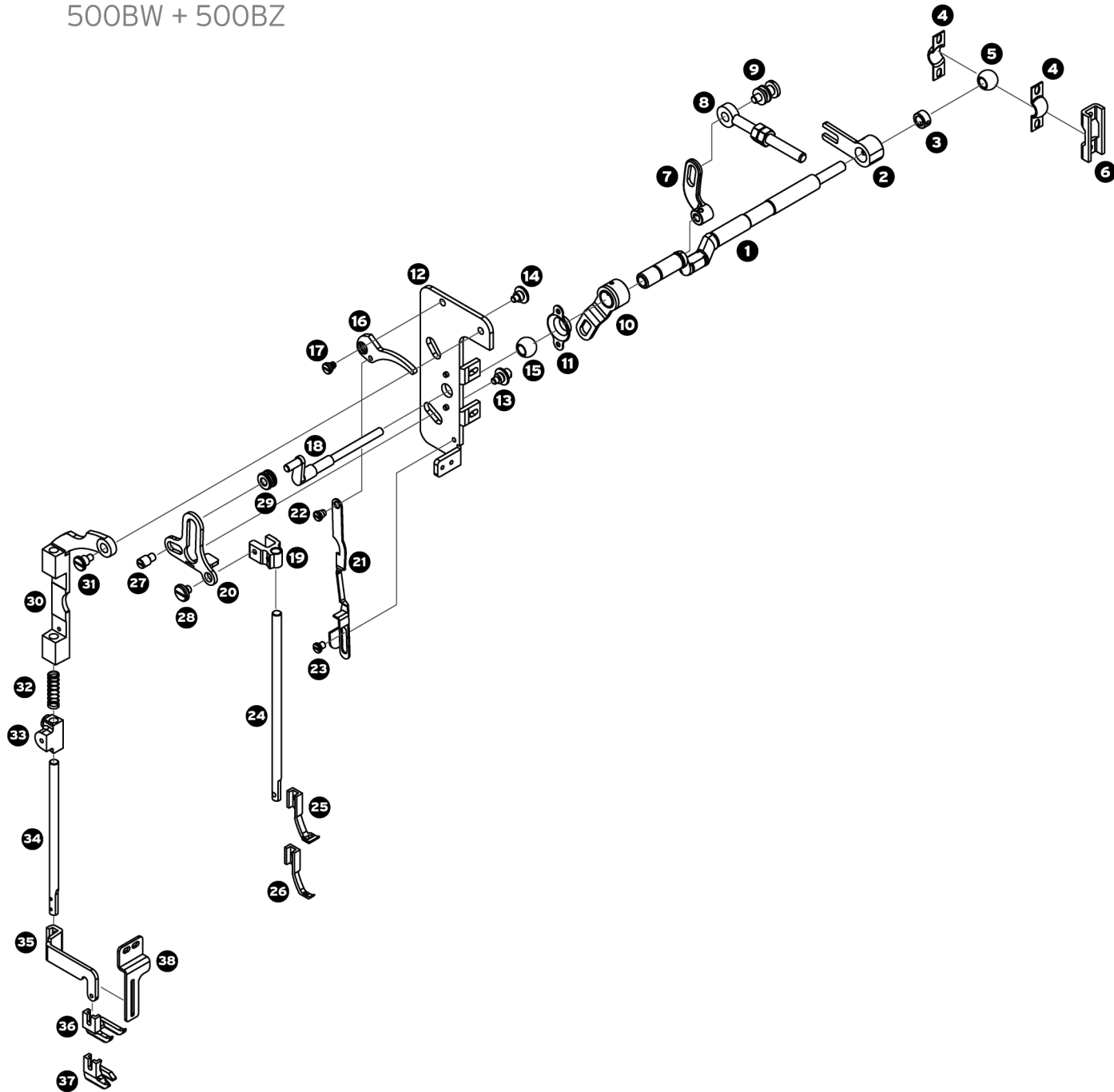
## Group 4

Key No.	Part Number	Part Name	Quantity
1.	7G4-1	FORKED ROD	1
2.	7G4-2	DRIVING CRANK	1
3.	7G4-3	FEED CONNECTION SLIDE BLOCK STUD	1
4.	7G4-4	FEED CONNECTION SLIDE BLOCK	1
5.	7G2-29	CRANK ROD ROCKER	1
6.	7G4-6	GUIDE SCREW	1
7.	7G4-7	OSCILLATING SHAFT	1
8.	7G4-8	OSCILLATION SHAFT SET SCREW AND NUT	8
9.	7G4-9	DRIVING CRANK GUIDE SCREW	1
10.	7G3-5	OSCILLATING SHAFT CRANK WITH SLIDE BLOCK	1
11.	7G4-11	FEED LIFTING ROCK SHAFT CRANK	1
12.	7G4-12	FEED ROCK SHAFT CRANK	1
13.	7G4-13	FEED ROCK SHAFT	1
14.	7G4-14	FEED BAR	1
15.	57WAKNURLED	KNURLED FEED DOG	1
16.	57BWFD	STANDARD STRAIGHT STITCH FEED DOG	1
17.	7G4-17	FEED DOG SCREW	2

# GROUP 5 - DRIVING AND REVERSING MECHANISM GROUP

Command  
700BW + 700BZ

Fit  
500BW + 500BZ



## Group 5

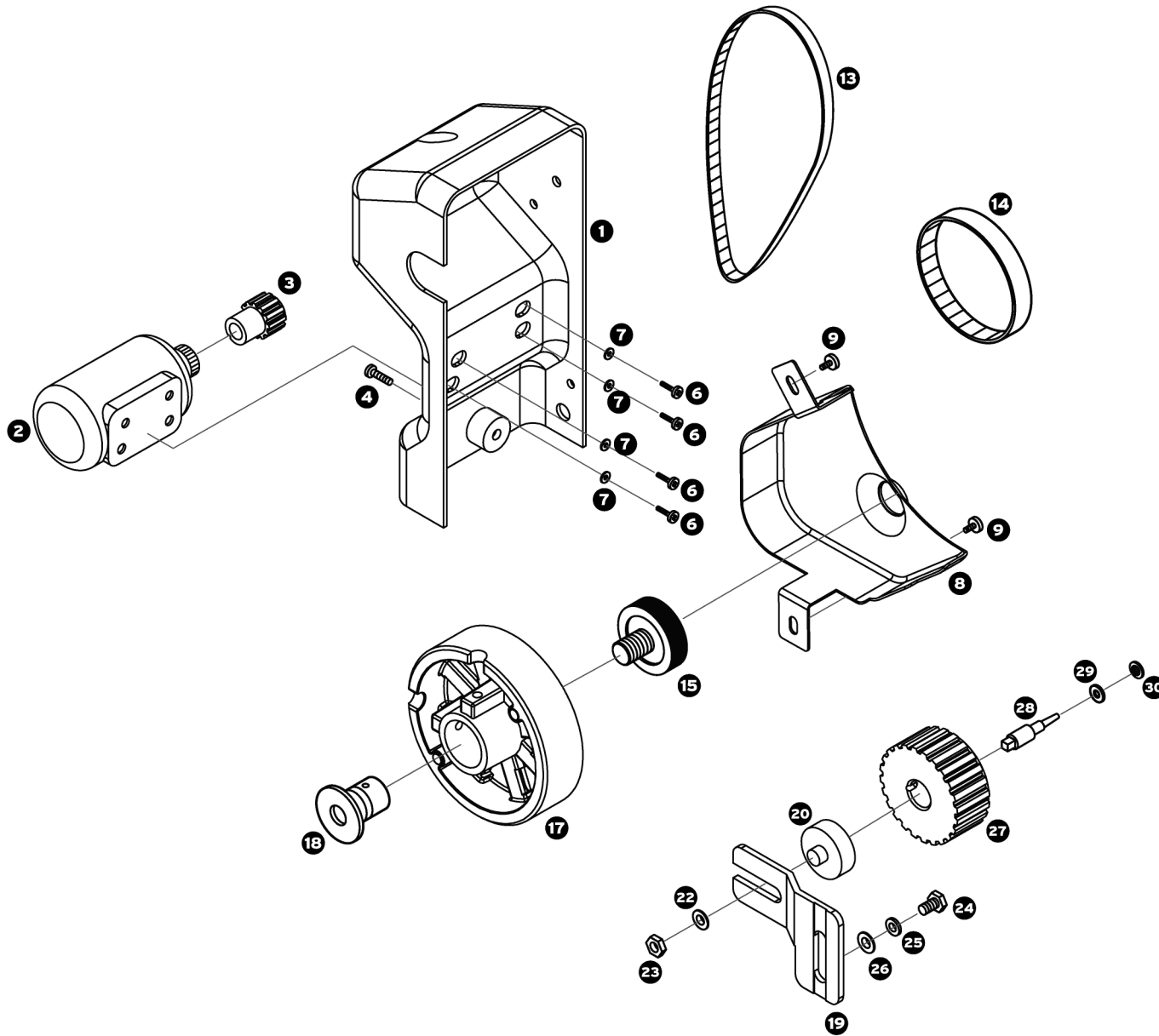
Key No.	Part Number	Part Name	Quantity
1.	7G2-26	CRANK ROD	1
2.	7G2-29	CRANK ROD ROCKER	1
3.	7G2-30	ROCKER END SET RING	1
4.	7G2-31	LIFT CRANK ROD BEARING BRACKET PLATE	2
5.	7G2-32	BEARING BRACKET BUSHING	1
6.	7G2-33	CRANK ROCK BEARING SET BASE	1
7.	7G2-28	PRESSER BAR ACTUATOR UP-DOWN ROCKER	1
8.	7G2-5	CRANK ROD LEVER CAM SCREW	1
9.	7G2-6	CRANK ROD ROCKET SCREW ASSEMBLY	1
10.	7G2-37	PRESSER BAR ACTUATOR FEED ROCKER	1
11.	7G2-40	END PLATE BEARING SET PLATE	1
12.	7G2-34	END PLATE	1
13.	7G2-38	PRESSER BAR TRACK FEED STUD	1
14.	7G2-49	HINGE SET SCREW	1
15.	7G2-32	BEARING BRACKET BUSHING	1
16.	7G2-47	PRESSER BAR LIFTER	1
17.	7G2-48	PRESSER BAR LIFTER HINGE SCREW	1
18.	7G2-27	PRESSER BAR FEED ROD	1
19.	7G2-46	PRESSER BAR BRACKET	1

<b>Key No.</b>	<b>Part Number</b>	<b>Part Name</b>	<b>Quantity</b>
20.	7G2-43	PRESSER BAR ACTUATOR	1
21.	7G2-36	LIFT BAR	1
22.	7G2-51	UPPER LIFT BAR SCREW	1
23.	7G2-52	LIFT BAR GUIDE SCREW	1
24.	7G2-60	PRESSER BAR	1
25.	7G2-61A	STRAIGHT STITCH INSIDE PRESSER FOOT	1
26.	7G2-62A	STRAIGHT STITCH INSIDE WELTING FOOT	1
27.	7G2-45	PRESSER BAR ACTUATOR FEED SCREW	1
28.	7G2-44	PRESSER BAR ACTUATOR PIVOT SCREW	1
29.	7G2-42	PRESSER BAR ACTUATOR SPACER	1
30.	7G2-35	PRESSER BAR TRACK	1
31.	7G2-50	PRESSER BAR TRACK HINGE SCREW	1
32.	7G2-53	PRESSER BAR LOAD SPRING (REAR)	1
33.	7G2-54	REAR PRESSER BAR BRACKET	1
34.	7G2-55	REAR PRESSER BAR	1
35.	7G2-56	OUTSIDE PRESSER FOOT BRACKET	1
36.	7G2-57A	STRAIGHT STITCH OUTSIDE PRESSER FOOT	1
37.	7G2-58A	SMOOTH OUTSIDE WELTING FOOT	1
38.	7G2-59	OUTSIDE PRESSER FOOT ELIMINATOR	1

# GROUP 6 - ELECTRIC POWER AND DYNAMIC TRANSMISSION

Fit

500BW + 500BZ



## Group 6

Key No.	Part Number	Part Name	Quantity
1.	5G5-1	MOTOR BASE (REAR COVER)	1
2.	5G5-2	MOTOR	1
3.	5G5-3	MOTOR PULLEY	1
4.	5G5-4	MOTOR BASE SET SCREW	2
6.	5G5-6	MOTOR SET SCREW	4
7.	5G5-7	MOTOR SET WASHER	5
8.	5G5-8	BELT COVER	1
9.	5G5-9	BELT COVER SET SCREW	2
13.	5G5-13	BELT (130XL0.18)	1
14.	5G5-14	BELT (80XL0.25)	1
15.	5G5-15	CLAMP SCREW	1
17.	5G5-17	HAND WHEEL	1
18.	5G5-18	HAND WHEEL BUSHING	1
19.	5G5-19	PULLEY BRACKET	1
20.	5G5-20	IDLE PULLEY BEARING	1
22.	5G5-22	IDLE PULLEY LOCK WASHER	1
23.	5G5-23	IDLE PULLEY SET NUT	1
24.	5G5-24	MOTOR BRACKET SET SCREW	1
25.	5G5-25	MOTOR CRACKET SET LOCK WASHER	1

<b>Key No.</b>	<b>Part Number</b>	<b>Part Name</b>	<b>Quantity</b>
26.	5G5-26	MOTOR BRACKET SET WASHER	1
27.	5G5-27	IDLE PULLEY	1
28.	5G5-28	IDLE PULLEY SHAFT	1
29.	5G5-29	IDLE PULLEY SHAFT WASHER	1
30.	5G5-30	E5 RING	1



Reliable Corporation  
100 Wingold Avenue, Unit 5  
Toronto, Ontario  
Canada M6B 4K7

[www.reliablecorporation.com](http://www.reliablecorporation.com)

1-800-268-1649